

Upgrade Information of MPE720 Version 7.83

1. Added and Improved Functions

1.1 Version 7.83 Upgrade Information

Items added and features improved from MPE720 version 7.82 to version 7.83 are as follows.

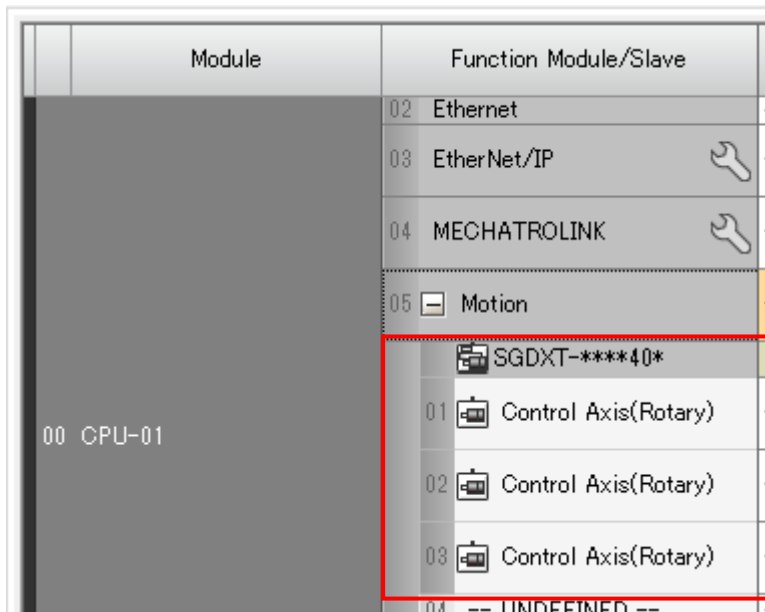
No.	Feature	Classification
1	Added support for Sigma XT servo.	New Function
2	Added conversion for Project file.	New Function
3	Added support for Windows11.	New Function
4	Improved transfer of Electronic Cam Tool.	Improving
5	Improved saving YMW file.	Improving

2. Description

No. 1 Added support for Sigma XT servo.

Added support for Sigma XT (3-axis driving model) servo.

1) Sigma-XT can be assigned in the module configuration definition of MC-Configurator and used as servo axis.



[Supported Versions]

○Controller

Controller	Supported Firmware Version
YRM-X	1.00
MP3000	1.51
Σ-7 Series (Build-in SVC)	1.07
MP2000 Series (Build-in SVC)	2.88

○Motion module

Module	Supported Firmware Version
SVF-01	1.00
SVC-01	1.24

○Servopack

Servopack
SGDXT-****40*

No.2 Added conversion for Project file.

Added support for the following project conversions.

- MP3000 → YRM-X
- MP3000 → CPU-203F
- YRM-7 → YRM-X
- CPU-203 → MP3000
- CPU-203 → CPU-203F
- CPU-203F → MP3000
- CPU-203F → CPU-203

[Supported Versions]

○Controller

Controller	Supported Firmware Version
YRM-X	Not dependent on the controller version.
YRM-7	Not dependent on the controller version.
MP3000 Series	Not dependent on the controller version.
Σ-7 Series	Not dependent on the controller version.
MP2000 Series	Not dependent on the controller version.
Σ-FT Series	Not dependent on the controller version.

No.3 Added support for Windows11.

Added support for Windows11 OS.

[Note] For MP2100/MP3100, the PCI/PCI Express driver does not currently support Windows 11, so online connection is not possible.

[Supported Versions]

○Controller

Controller	Supported Firmware Version
YRM-X	Not dependent on the controller version.
YRM-7	Not dependent on the controller version.
MP3000 Series	Not dependent on the controller version.
Σ-7 Series	Not dependent on the controller version.
MP2000 Series	Not dependent on the controller version.
Σ-FT Series	Not dependent on the controller version.

No.4 Improved transfer of Electronic Cam Tool.

When transferring FT55/FT56 data with Electronic Cam Tool, or when executing Electronic Cam Tool's transfer with the upper limit size 512 bytes on communication platform, transfer error occurred. So, it has been improved.

[Supported Versions]

○Controller

Controller	Supported Firmware Version
YRM-X	Not dependent on the controller version.
YRM-7	Not dependent on the controller version.
MP3000 Series	Not dependent on the controller version.
Σ-7 Series	Not dependent on the controller version.
MP2000 Series	Not dependent on the controller version.
Σ-FT Series	Not dependent on the controller version.

No.5 Improved saving YMW file.

When Ver.6 compatible project (YMW file) was opened with MPE720 Ver.7.82, it was recognized as a read-only file and could not be saved. It has been improved.

[Supported Versions]

○Controller

Controller	Supported Firmware Version
MP2000 Series	Not dependent on the controller version.

Appendix A:

[About compile of the parallel circuit]

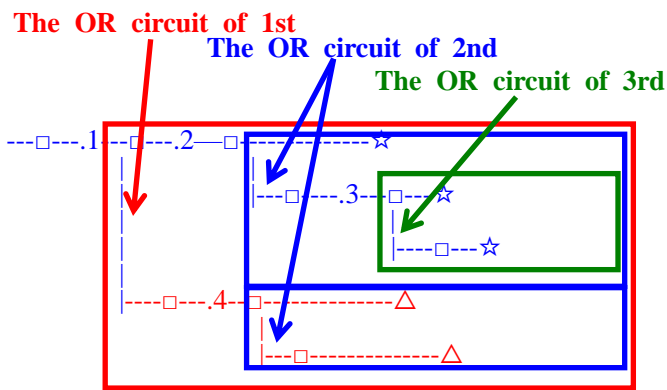
In the Ladder program of MPE720 Ver7 before MPE720 Ver7.23, when the parallel circuit is used, the following phenomena may occur.

<Phenomena>

When the circuit containing the following pattern was created, there was a phenomenon of operating without receiving the condition that the circuit below the OR circuit of 1st class must operate essentially in response to the conditional instruction before the OR circuit of 1st class.

<Measures>

When a phenomenon occurs, please carry out re-compile about the Ladder program in MPE720 Ver7 after MPE720 Ver7.24. Or please carry out again “Compile All Programs” of “Compile” menu.



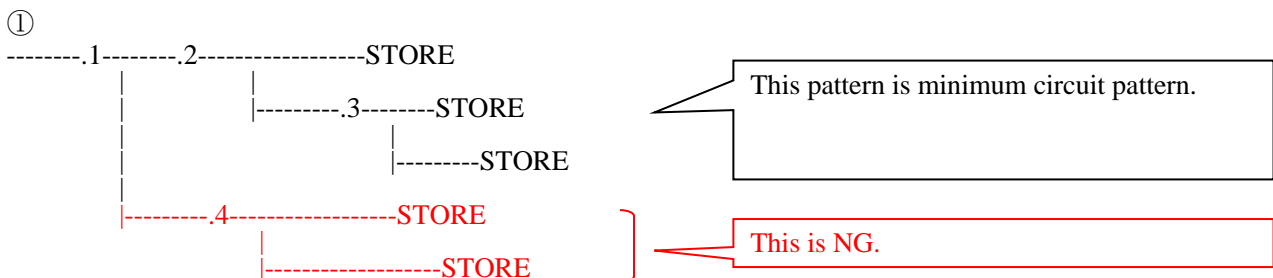
The OR circuit of 1st class: The OR circuit branched from the bus-bar of language.
 The OR circuit of 2nd class: The OR circuit branched out of the OR circuit of 1st class.
 The OR circuit of 3rd class: The OR circuit branched out of the OR circuit of 2nd class.

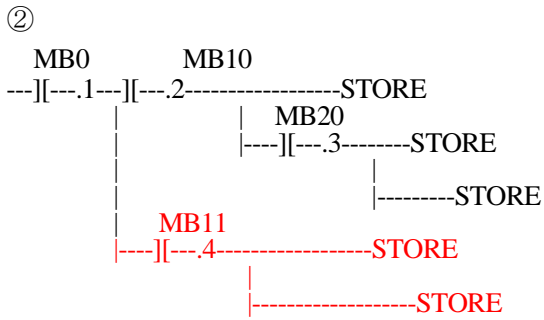
□(Conditional instruction): NO Contact, NC Contact, Coil, instruction(==, !=, >, <), power line (-----) etc.
 ☆(Output instruction): Coil, Block instruction(Expression, STORE, COPYW) etc
 ※However, when all ☆ is coil commands, a phenomenon does not occur.
 Δ(Output instruction): Coil, Block instruction(Expression, STORE, COPYW)etc

<Pattern>

Symbol	Instruction
	NO Contact
STORE	STORE instruction
()	Coil

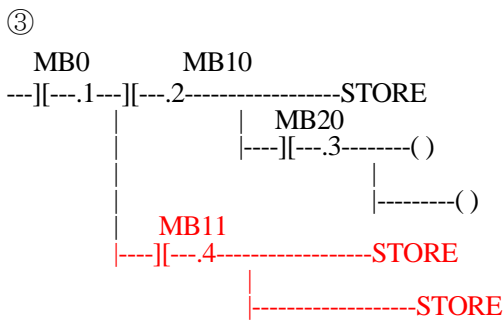
<NG Pattern>





It is NG even if the minimum circuit pattern has conditional instructions (NO Contact etc.).

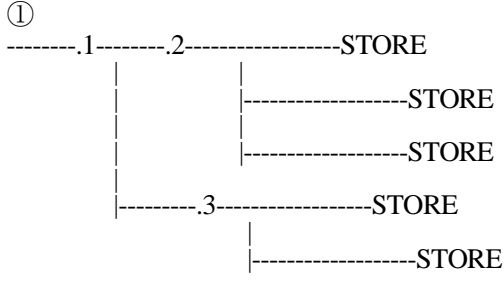
This is NG



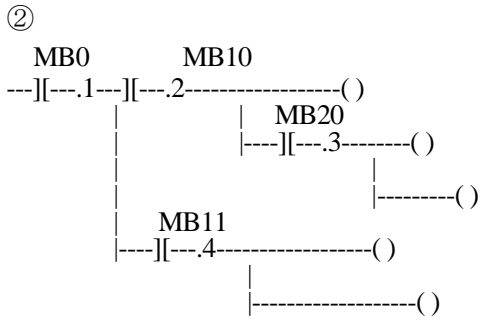
It is NG when there are at least one block commands (STORE command etc.) here.

This is NG

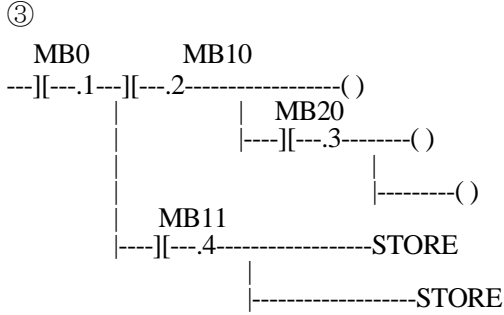
<OK Pattern>



Since it is the OR circuit of 2nd, it is OK.



Since it is the coil altogether, it is OK.



Since it is the coil altogether, it is OK.

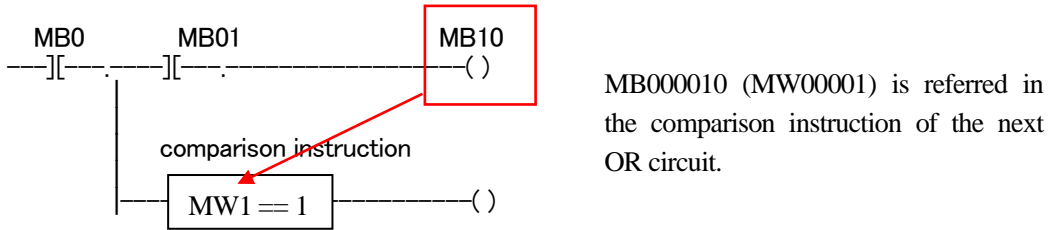
Appendix B:

【About compile with a comparison instruction in branch】

In the Ladder program of MPE720 Ver7 before MPE720 Ver7.63, when a comparison instruction is used in branch, the following phenomena may occur.

<Phenomena>

When the circuit containing the following pattern was created, the value of the register set in the upper OR circuit must be reflected to the comparison instructions in the lower OR circuit in the same scan. However, there was a phenomenon that it was reflected in the next scan.



<Measures>

When a phenomenon occurs, please carry out re-compile about the Ladder program in MPE720 Ver7 after MPE720 Ver7.64. Or please carry out again “Compile All Programs” of “Compile” menu. Also, about these programs that include circuits with this pattern, the number of internal steps will change in Ver7.64 or later, so when cross-reference is performed in a project created in an earlier version, there is a possibility of jumping to an unintended location. In this case, please recompile too.

Appendix C:

【About high DPI setting】

When MPE720 Ver.7 is started on a computer that supports high DPI such as a 4K display, part of MPE720 screen may not be displayed depending on the resolution and scale settings. From MPE720 Ver.7.67, the high DPI setting of MPE720’s property is set to disable. This avoids phenomena such as the screen being cut off. If you want to use the high DPI setting, please change the MPE720 Ver.7’s property setting.

Appendix D:

Past Upgrade Information

No.	Upgrade Information	Remarks
1	MPE720 version 7.11 upgrade information	version 7.10→version 7.11
2	MPE720 version 7.13 upgrade information	version 7.11→version 7.13
3	MPE720 version 7.14 upgrade information	version 7.13→version 7.14
4	MPE720 version 7.20 upgrade information	version 7.14→version 7.20
5	MPE720 version 7.21 upgrade information	version 7.20→version 7.21
6	MPE720 version 7.23 upgrade information	version 7.21→version 7.23
7	MPE720 version 7.24 upgrade information	version 7.23→version 7.24
8	MPE720 version 7.26 upgrade information	version 7.24→version 7.26
9	MPE720 version 7.27 upgrade information	version 7.26→version 7.27
10	MPE720 version 7.28 upgrade information	version 7.27→version 7.28
11	MPE720 version 7.29 upgrade information	version 7.28→version 7.29
12	MPE720 version 7.30 upgrade information	version 7.29→version 7.30
13	MPE720 version 7.31 upgrade information	version 7.30→version 7.31
14	MPE720 version 7.33 upgrade information	version 7.31→version 7.33
15	MPE720 version 7.34 upgrade information	version 7.33→version 7.34
16	MPE720 version 7.35 upgrade information	version 7.34→version 7.35
17	MPE720 version 7.36 upgrade information	version 7.35→version 7.36
18	MPE720 version 7.37 upgrade information	version 7.36→version 7.37
19	MPE720 version 7.38 upgrade information	version 7.37→version 7.38
20	MPE720 version 7.39 upgrade information	version 7.38→version 7.39
21	MPE720 version 7.40 upgrade information	version 7.39→version 7.40
22	MPE720 version 7.41 upgrade information	version 7.40→version 7.41
23	MPE720 version 7.42 upgrade information	version 7.41→version 7.42
24	MPE720 version 7.43 upgrade information	version 7.42→version 7.43
25	MPE720 version 7.44 upgrade information	version 7.43→version 7.44
26	MPE720 version 7.45 upgrade information	version 7.44→version 7.45
27	MPE720 version 7.46 upgrade information	version 7.45→version 7.46
28	MPE720 version 7.47 upgrade information	version 7.46→version 7.47
29	MPE720 version 7.50 upgrade information	version 7.47→version 7.50
30	MPE720 version 7.51 upgrade information	version 7.50→version 7.51
31	MPE720 version 7.52 upgrade information	version 7.51→version 7.52
32	MPE720 version 7.60 upgrade information	version 7.52→version 7.60
33	MPE720 version 7.62 upgrade information	version 7.60→version 7.62
34	MPE720 version 7.63 upgrade information	version 7.62→version 7.63
35	MPE720 version 7.64 upgrade information	version 7.63→version 7.64
36	MPE720 version 7.65 upgrade information	version 7.64→version 7.65
37	MPE720 version 7.66 upgrade information	version 7.65→version 7.66
38	MPE720 version 7.67 upgrade information	version 7.66→version 7.67
39	MPE720 version 7.70 upgrade information	version 7.67→version 7.70
40	MPE720 version 7.81 upgrade information	version 7.70→version 7.81
41	MPE720 version 7.82 upgrade information	version 7.81→version 7.82