

Upgrade Information of MPE720 Version 7.70

1. Added and Improved Functions

1.1 Version 7.70 Upgrade Information

Items added and features improved from MPE720 version 7.67 to version 7.70 are as follows.

No.	Feature	Classification
1	Added support for MP-31J.	New function
2	Added function for multiple project management.	New function
3	Improved the detail definition setting of CPU-203F.	Improving
4	Improved function of auto watch.	Improving
5	Improved to be able to import/export line comment.	Improving
6	Improved function of cross reference.	Improving
7	Improved search in project.	Improving
8	Improved to be able to display a serial number of servopack.	Improving
9	Improved displaying current value of ladder editor.	Improving
10	Improved saving to flash.	Improving
11	Improved setting IP address of 263IF-01.	Improving
12	Improved checking duplicate network of YRM-X.	Improving
13	Improved font size expansion of ladder editor.	Improving
14	Improved column attributes setting of table data.	Improving

(*): When MPE720 Ver.7 before MPE720 Ver.7.11 is already installed in Windows Vista and Windows 7, it may not operate for the newest information of the servo model addition by the axial setup wizard function (the newest information added into the database) updated by after MPE720 Ver.7.13.

Please refer to the following page for operating procedures.

【About the restriction matter when using MPE720 Ver.7 in Windows Vista and Windows 7】

When MPE720 Ver.7 is used in Windows Vista and Windows 7, the following phenomena might be generated.

<Phenomena>

When MPE720 Ver.7 before MPE720 Ver.7.11 is already installed in Windows Vista and Windows 7, it may not operate for the newest information of the servo model addition by the axial setup wizard function (the newest information added into the database) updated by after MPE720 Ver.7.13.

<Measures>

Using a batch file, the following folder is deleted. (*1)

C:\Users\UserName(*2)\AppData\Local\VirtualStore\Program Files(*3)\YASKAWA\MPE720 Ver7

Procedure

1. The batch file enclosed by MPE720 Ver.7 installer is copied to a desktop.

【Download Version】

MPE720Ver7_xxx(*4)\Tools\CleanUp\MPE720Ver7_x86.bat (32bitOS)

MPE720Ver7_xxx(*4)\Tools\CleanUp\MPE720Ver7_x64.bat (64bitOS)

【DVD Media Version】

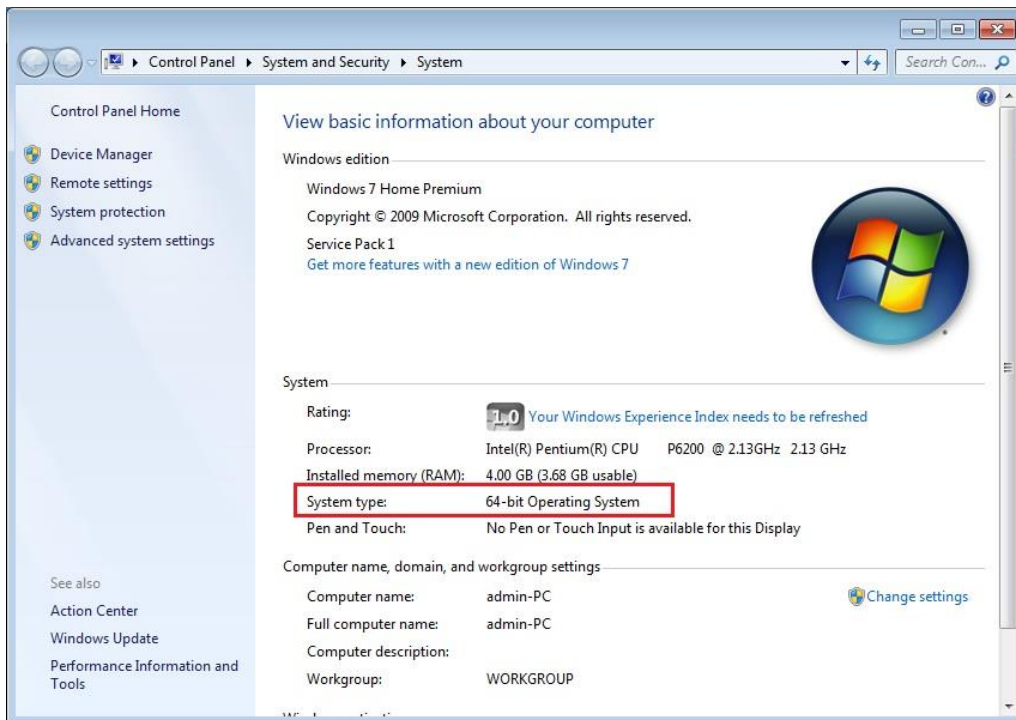
D(*5)\Tools\CleanUp\MPE720Ver7_x86.bat (32bitOS)

D(*5)\Tools\CleanUp\MPE720Ver7_x64.bat (64bitOS)

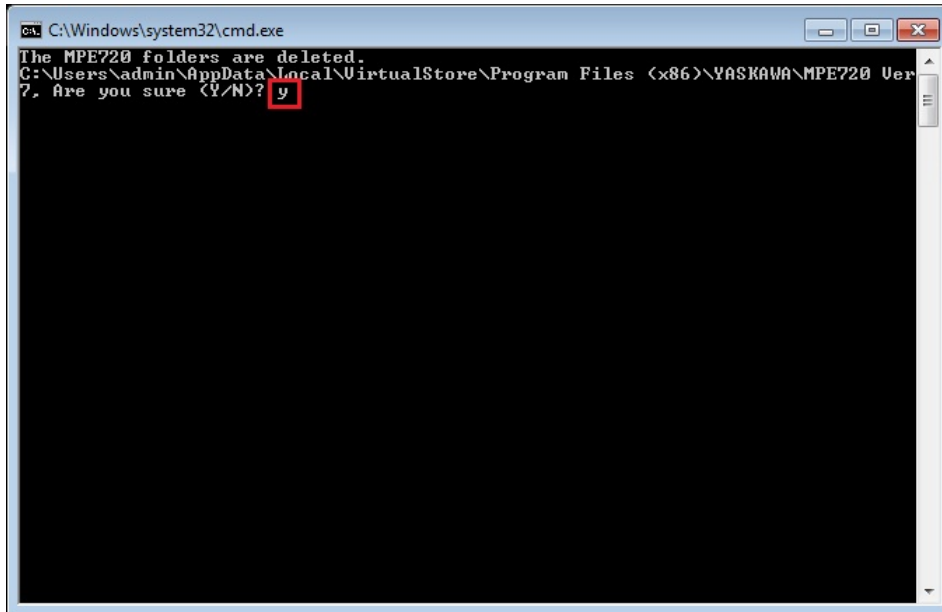
2. The copied batch file is performed.

MPE720Ver7_x86.bat (32bitOS)

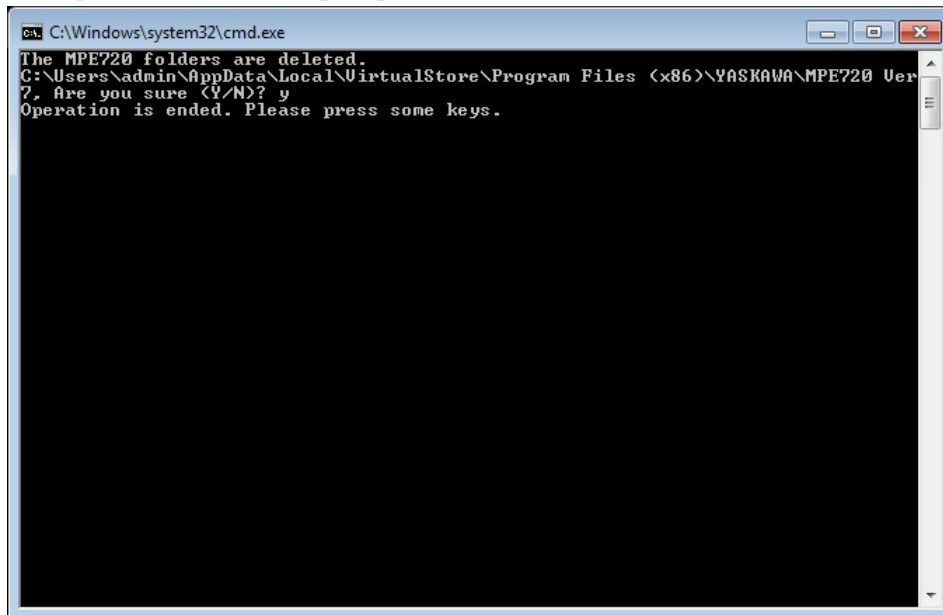
MPE720Ver7_x64.bat (64bitOS)



3. “y” is inputted on a command prompt and the Enter button is pushed.



4. The Enter button is pushed on a command prompt after deletion.



(*1): When multi-user is using one set of PC, please operate it by each user.

(*2): The user account name that logs in enters.

(*3): The path changes by OS.

32bitOS: Program Files

64bitOS: Program Files (x86)

(*4): The path changes by version.

(*5): The path changes by DVD drive.

(*6): When an installation path is changed at the time of MPE720 Ver.7 installation, please delete the “MPE720 Ver7” folder which a folder subordinate has below manually according to the installed path.

C:\Users\¥UserName(*2)\AppData\Local\VirtualStore

【About compile of the parallel circuit】

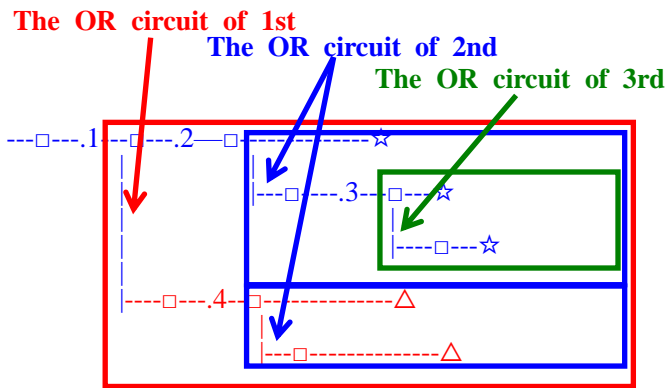
In the Ladder program of MPE720 Ver7 before MPE720 Ver7.23, when the parallel circuit is used, the following phenomena may occur.

<Phenomena>

When the circuit containing the following pattern was created, there was a phenomenon of operating without receiving the condition that the circuit below the OR circuit of 1st class must operate essentially in response to the conditional instruction before the OR circuit of 1st class.

<Measures>

When a phenomenon occurs, please carry out re-compile about the Ladder program in MPE720 Ver7 after MPE720 Ver7.24. Or please carry out again “Compile All Programs” of “Compile” menu.



The OR circuit of 1st class: The OR circuit branched from the bus-bar of language.

The OR circuit of 2nd class: The OR circuit branched out of the OR circuit of 1st class.

The OR circuit of 3rd class: The OR circuit branched out of the OR circuit of 2nd class.

□(Conditional instruction): NO Contact, NC Contact, Coil, instruction(==, !=, >, <), power line (-----) etc.

☆(Output instruction): Coil, Block instruction(Expression, STORE, COPYW) etc

※However, when all ☆ is coil commands, a phenomenon does not occur.

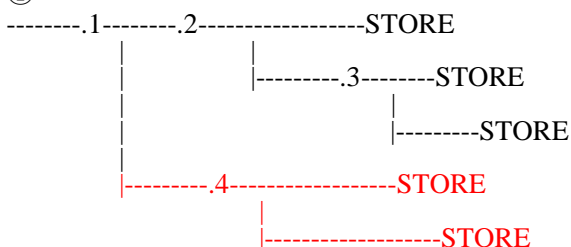
△(Output instruction): Coil, Block instruction(Expression, STORE, COPYW)etc

<Pattern>

Symbol	Instruction
[NO Contact
STORE	STORE instruction
()	Coil

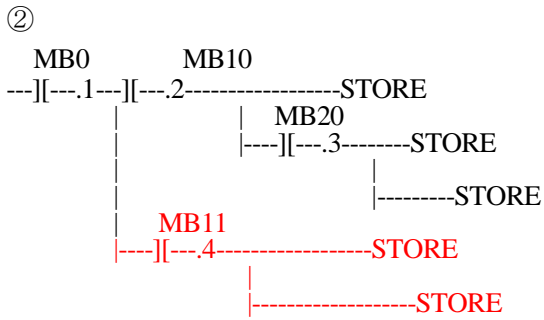
<NG Pattern>

①



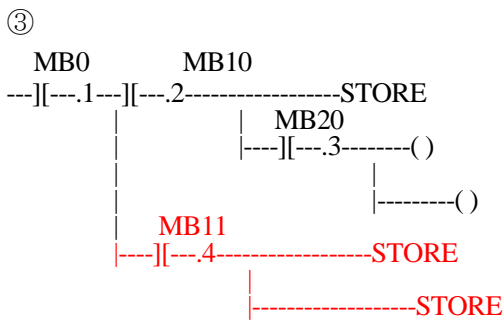
This pattern is minimum circuit pattern.

This is NG.



It is NG even if the minimum circuit pattern has conditional instructions (NO Contact etc.).

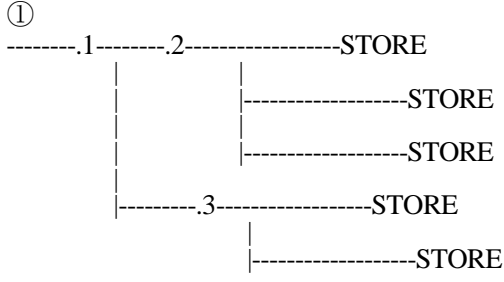
This is NG



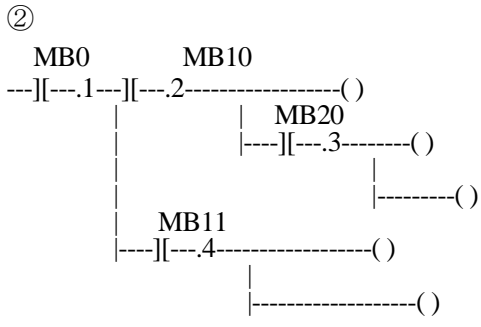
It is NG when there are at least one block commands (STORE command etc.) here.

This is NG

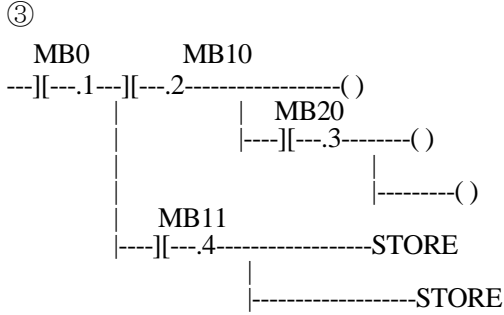
<OK Pattern>



Since it is the OR circuit of 2nd, it is OK.



Since it is the coil altogether, it is OK.



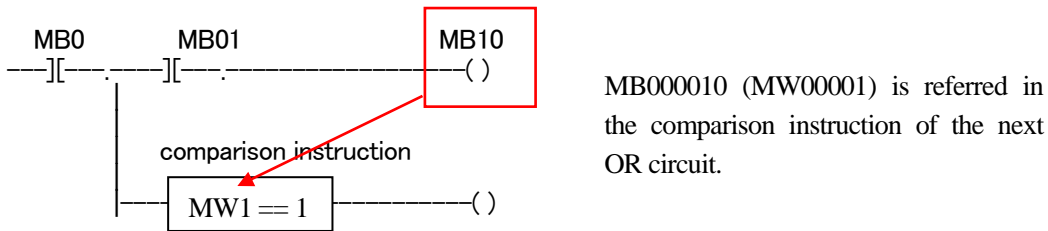
Since it is the coil altogether, it is OK.

【About compile with a comparison instruction in branch】

In the Ladder program of MPE720 Ver7 before MPE720 Ver7.63, when a comparison instruction is used in branch, the following phenomena may occur.

<Phenomena>

When the circuit containing the following pattern was created, the value of the register set in the upper OR circuit must be reflected to the comparison instructions in the lower OR circuit in the same scan. However, there was a phenomenon that it was reflected in the next scan.



<Measures>

When a phenomenon occurs, please carry out re-compile about the Ladder program in MPE720 Ver7 after MPE720 Ver7.64. Or please carry out again “Compile All Programs” of “Compile” menu. Also, about these programs that include circuits with this pattern, the number of internal steps will change in Ver7.64 or later, so when cross-reference is performed in a project created in an earlier version, there is a possibility of jumping to an unintended location. In this case, please recompile too.

【About high DPI setting】

When MPE720 Ver.7 is started on a computer that supports high DPI such as a 4K display, part of MPE720 screen may not be displayed depending on the resolution and scale settings. From MPE720 Ver.7.67, the high DPI setting of MPE720's property is set to disable. This avoids phenomena such as the screen being cut off. If you want to use the high DPI setting, please change the MPE720 Ver.7's property setting.

1.2 Past Upgrade Information

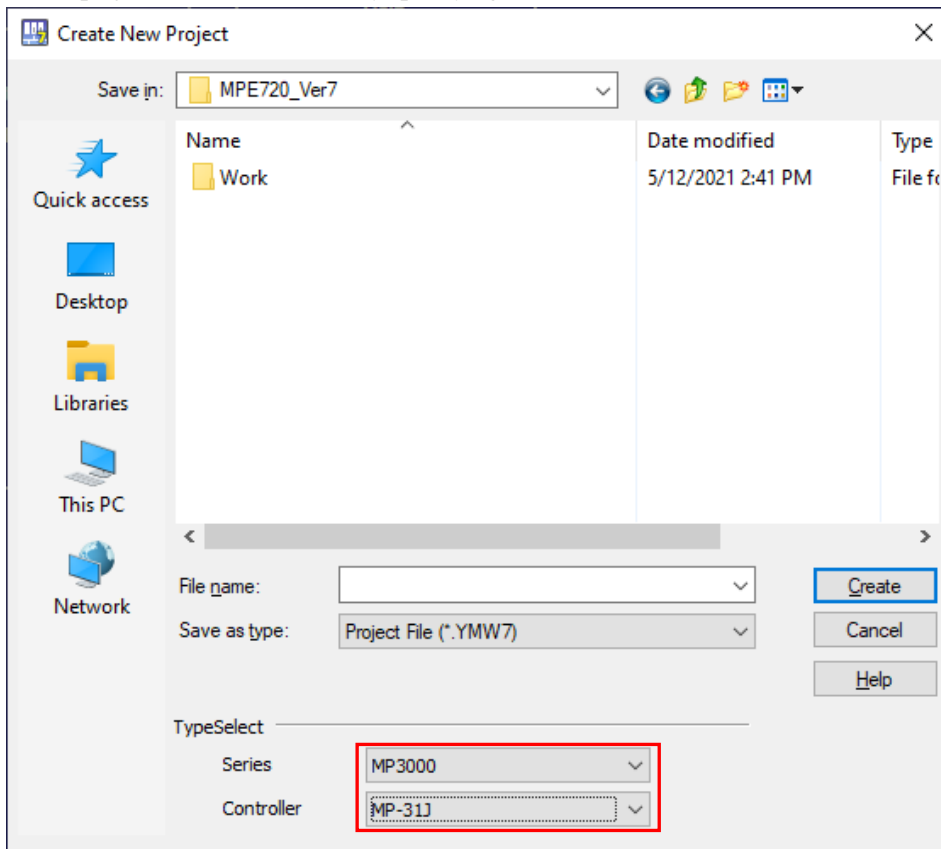
No.	Upgrade Information	Remarks
1	MPE720 version 7.11 upgrade information	version 7.10→version 7.11
2	MPE720 version 7.13 upgrade information	version 7.11→version 7.13
3	MPE720 version 7.14 upgrade information	version 7.13→version 7.14
4	MPE720 version 7.20 upgrade information	version 7.14→version 7.20
5	MPE720 version 7.21 upgrade information	version 7.20→version 7.21
6	MPE720 version 7.23 upgrade information	version 7.21→version 7.23
7	MPE720 version 7.24 upgrade information	version 7.23→version 7.24
8	MPE720 version 7.26 upgrade information	version 7.24→version 7.26
9	MPE720 version 7.27 upgrade information	version 7.26→version 7.27
10	MPE720 version 7.28 upgrade information	version 7.27→version 7.28
11	MPE720 version 7.29 upgrade information	version 7.28→version 7.29
12	MPE720 version 7.30 upgrade information	version 7.29→version 7.30
13	MPE720 version 7.31 upgrade information	version 7.30→version 7.31
14	MPE720 version 7.33 upgrade information	version 7.31→version 7.33
15	MPE720 version 7.34 upgrade information	version 7.33→version 7.34
16	MPE720 version 7.35 upgrade information	version 7.34→version 7.35
17	MPE720 version 7.36 upgrade information	version 7.35→version 7.36
18	MPE720 version 7.37 upgrade information	version 7.36→version 7.37
19	MPE720 version 7.38 upgrade information	version 7.37→version 7.38
20	MPE720 version 7.39 upgrade information	version 7.38→version 7.39
21	MPE720 version 7.40 upgrade information	version 7.39→version 7.40
22	MPE720 version 7.41 upgrade information	version 7.40→version 7.41
23	MPE720 version 7.42 upgrade information	version 7.41→version 7.42
24	MPE720 version 7.43 upgrade information	version 7.42→version 7.43
25	MPE720 version 7.44 upgrade information	version 7.43→version 7.44
26	MPE720 version 7.45 upgrade information	version 7.44→version 7.45
27	MPE720 version 7.46 upgrade information	version 7.45→version 7.46
28	MPE720 version 7.47 upgrade information	version 7.46→version 7.47
29	MPE720 version 7.50 upgrade information	version 7.47→version 7.50
30	MPE720 version 7.51 upgrade information	version 7.50→version 7.51
31	MPE720 version 7.52 upgrade information	version 7.51→version 7.52
32	MPE720 version 7.60 upgrade information	version 7.52→version 7.60
33	MPE720 version 7.62 upgrade information	version 7.60→version 7.62
34	MPE720 version 7.63 upgrade information	version 7.62→version 7.63
35	MPE720 version 7.64 upgrade information	version 7.63→version 7.64
36	MPE720 version 7.65 upgrade information	version 7.64→version 7.65
37	MPE720 version 7.66 upgrade information	version 7.65→version 7.66
38	MPE720 version 7.67 upgrade information	version 7.66→version 7.67

2. Description

No. 1 Added support for MP-31J.

Support MP-31J Controller.

1) A project file can be created by specifying the series name "MP3000" and model "MP-31J".



2) It can be connected to the MP-31J and engineer the controller function.

[Supported Versions]

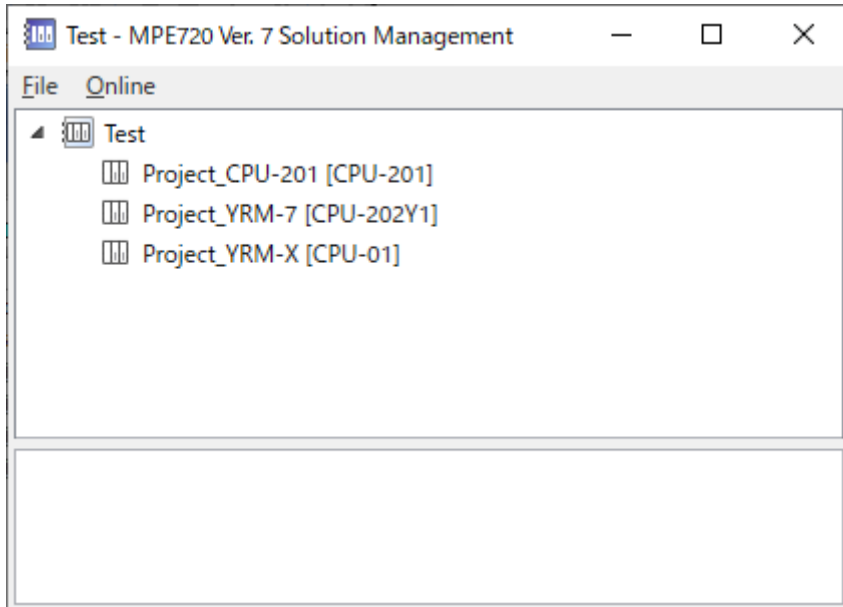
○Controller

Servo	Supported Firmware Version
MP-31J	Not dependent on the controller version.

No. 2 Added function for multiple project management.

Added the function to manage multiple MPE720 Ver.7 projects.

- 1) A new "solution" can be created to manage multiple projects from the file menu of MPE720 Ver.7.
- 2) Multiple projects can be added to a solution for management.



- 3) At once multiple projects can be transferred to controllers and be saved in flash.

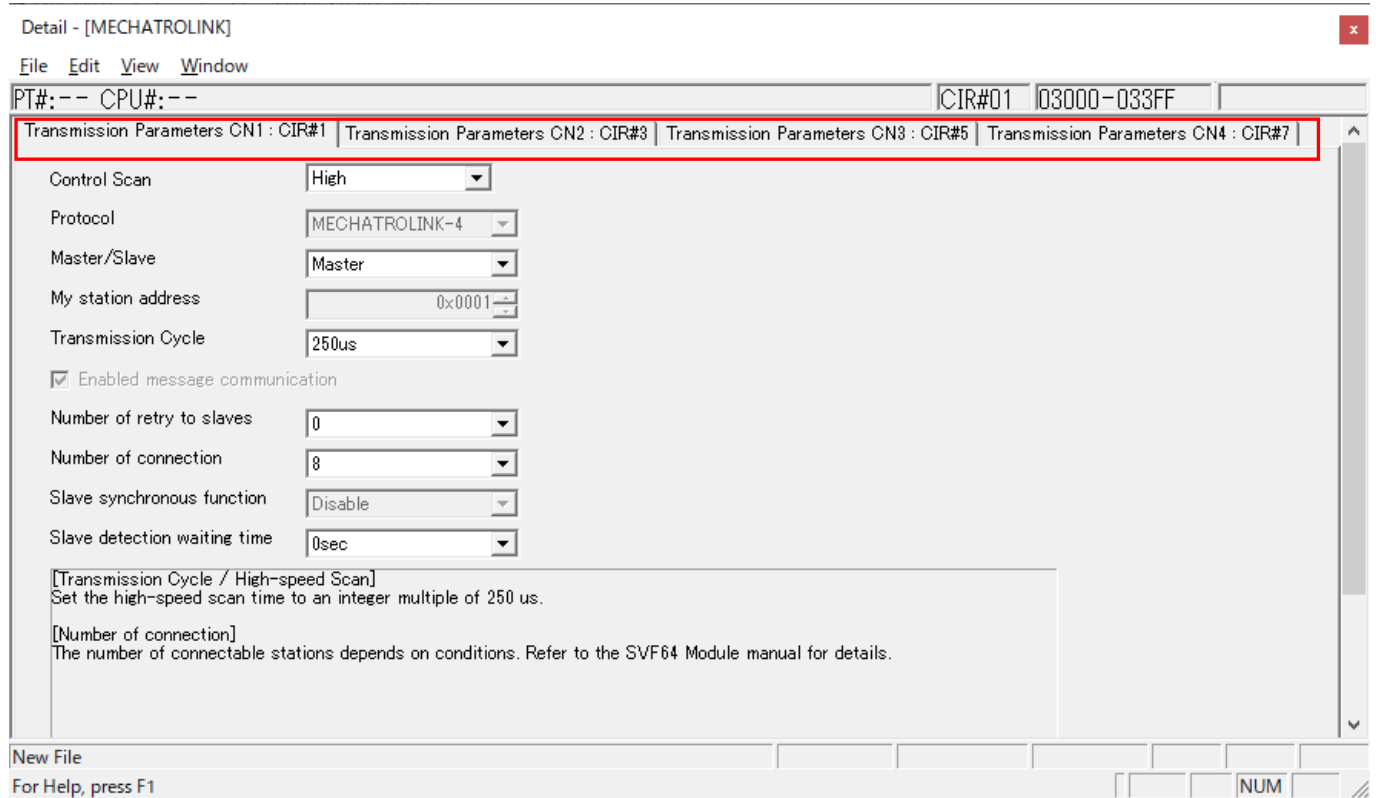
[Supported Versions]

oController

Controller	Supported Firmware Version
YRM-X	Not dependent on the controller version.
YRM-7	Not dependent on the controller version.
MP3000 Series	Not dependent on the controller version.
Σ-FT Series	Not dependent on the controller version.

No. 3 Improved the detail definition setting of CPU-203F.

Improved to set the detail definition of each SVF64 channel (CN1 – CN4) of CPU-203F in same screen.



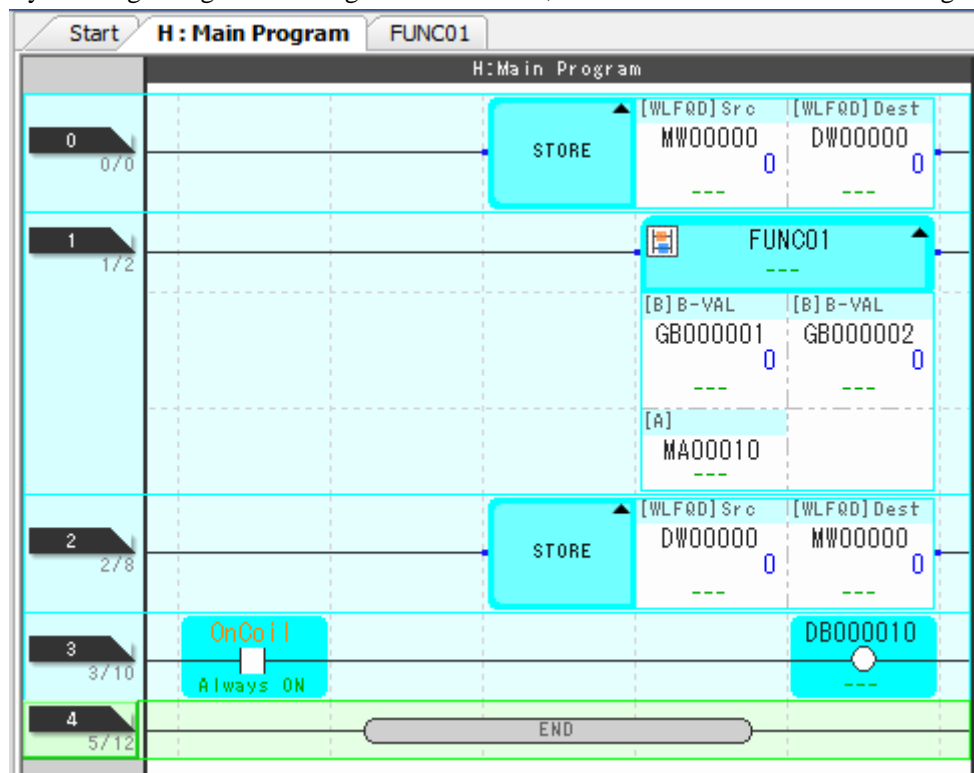
[Supported Versions]

○Controller

Controller	Supported Firmware Version
CPU-203F	Not dependent on the controller version.

No. 4 Improved function of auto watch.

By selecting a rung or some range with auto watch, it can be able to watch the several registers at same time.



AutoWatch			
Variable	Value	Comment	Program
MW00000	0		
DW00000	0		H : Main Program
GB000001	OFF		
GB000002	OFF		
OnCoil (SB000004)	OFF	Always ON	
DB000010	OFF		H : Main Program

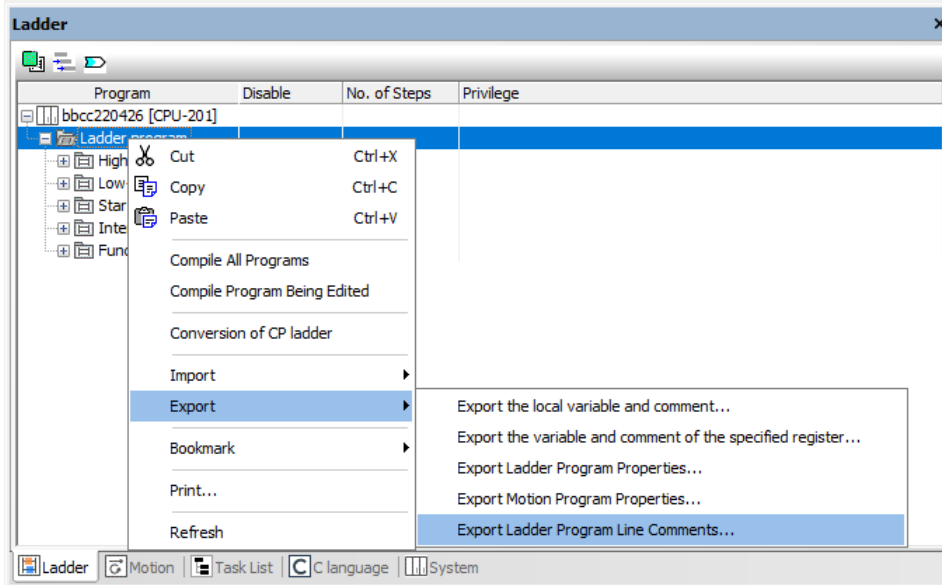
[Supported Versions]

○Controller

Controller	Supported Firmware Version
YRM-X	Not dependent on the controller version.
YRM-7	Not dependent on the controller version.
MP3000 Series	Not dependent on the controller version.
Σ-7 Series	Not dependent on the controller version.
MP2000 Series	Not dependent on the controller version.
Σ-FT Series	Not dependent on the controller version.

No. 5 Improved to be able to import/export line comment.

It is able to import/export line comment (rung comment and program comment) of all ladder program.



[Supported Versions]

○Controller

Controller	Supported Firmware Version
YRM-X	Not dependent on the controller version.
YRM-7	Not dependent on the controller version.
MP3000 Series	Not dependent on the controller version.
Σ-7 Series	Not dependent on the controller version.
MP2000 Series	Not dependent on the controller version.
Σ-FT Series	Not dependent on the controller version.

No. 6 Improved function of cross reference.

When executing cross reference to array register or index register, these registers might be hit as same memory address.

[Supported Versions]

○Controller

Controller	Supported Firmware Version
YRM-X	Not dependent on the controller version.
YRM-7	Not dependent on the controller version.
MP3000 Series	Not dependent on the controller version.
Σ-7 Series	Not dependent on the controller version.
MP2000 Series	Not dependent on the controller version.
Σ-FT Series	Not dependent on the controller version.

No. 7 Improved search in project.

It is improved to be able to use 'search in project' function with project link connection.

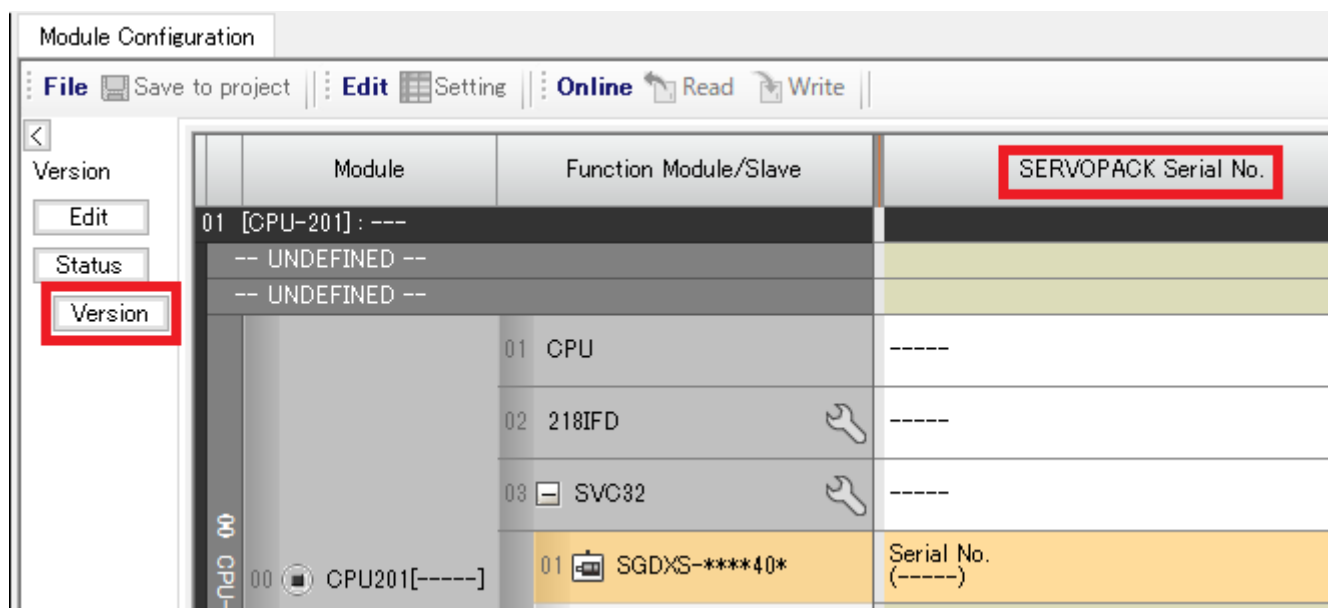
[Supported Versions]

○Controller

Controller	Supported Firmware Version
YRM-X	Not dependent on the controller version.
YRM-7	Not dependent on the controller version.
MP3000 Series	Not dependent on the controller version.
Σ-7 Series	Not dependent on the controller version.
MP2000 Series	Not dependent on the controller version.
Σ-FT Series	Not dependent on the controller version.

No. 8 Improved to be able to display a serial number of servopack.

Servopack's serial number is displayed in module configuration screen by Version button. The displayable slave devices are M-III and M-4 servopack.



[Supported Versions]

○Controller

Controller	Supported Firmware Version
YRM-X	Not dependent on the controller version.
YRM-7	Not dependent on the controller version.
MP3000 Series	Not dependent on the controller version.
Σ-7 Series	Not dependent on the controller version.
MP2000 Series	Not dependent on the controller version.

No. 9 Improved displaying current value of ladder editor.

When scrolling ladder editor with online connection, updating current value display is slow. So, it has been improved. (Fixed the sleep timer from 300ms to 10ms when scrolling.)

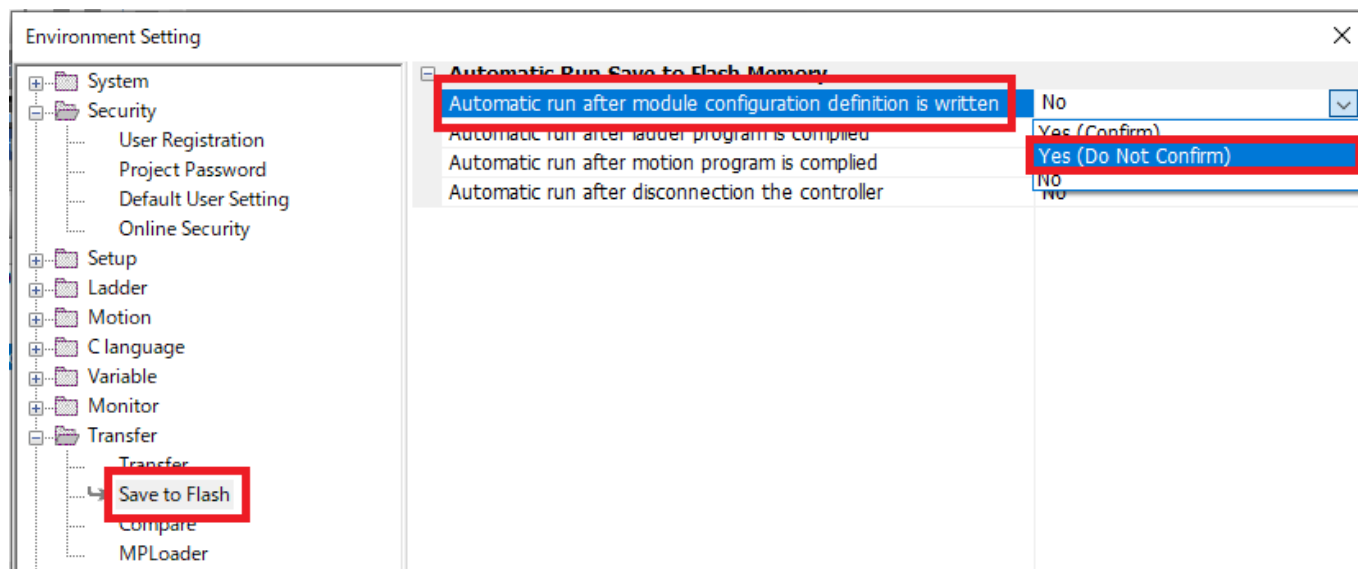
[Supported Versions]

○Controller

Controller	Supported Firmware Version
YRM-X	Not dependent on the controller version.
YRM-7	Not dependent on the controller version.
MP3000 Series	Not dependent on the controller version.
Σ-7 Series	Not dependent on the controller version.
MP2000 Series	Not dependent on the controller version.
Σ-FT Series	Not dependent on the controller version.

No. 10 Improved saving to flash.

- 1) 'Save to Flash' is added in Transfer tree of Environment Setting screen.
- 2) 'Automatic run after module configuration definition is written' is added newly.
- 3) 'Yes (Do not confirm)' is added newly. This means automatic flash save is executed without the confirm screen.



[Supported Versions]

○Controller

Controller	Supported Firmware Version
YRM-X	Not dependent on the controller version.
YRM-7	Not dependent on the controller version.
MP3000 Series	Not dependent on the controller version.
Σ-7 Series	Not dependent on the controller version.
MP2000 Series	Not dependent on the controller version.
Σ-FT Series	Not dependent on the controller version.

No. 11 Improved setting IP address of 263IF-01.

It can be set 255 to 1st to 3rd fields of IP address of 263IF-01. (Only 4th field, 255 cannot be set.)

[Supported Versions]

○Controller

Controller	Supported Firmware Version
YRM-X	Not dependent on the controller version.
YRM-7	Not dependent on the controller version.
MP3000 Series	Not dependent on the controller version.
Σ-7 Series	Not dependent on the controller version.
MP2000 Series	Not dependent on the controller version.
Σ-FT Series	Not dependent on the controller version.

No. 12 Improved checking duplicate network of YRM-X.

Duplicate checking did not work properly between Ethernet and Ethernet / IP with different subnet masks on YRM-X, so it has been improved.

[Supported Versions]

○Controller

Controller	Supported Firmware Version
YRM-X	Not dependent on the controller version.

No. 13 Improved font size expansion of ladder editor.

With the font size expanded to a large size such as 20 in ladder editor, when setting a large value (-100000000 etc.) displayed as a power to register value, MPE720 would be down. So, it has been improved.

[Supported Versions]

○Controller

Controller	Supported Firmware Version
YRM-X	Not dependent on the controller version.
YRM-7	Not dependent on the controller version.
MP3000 Series	Not dependent on the controller version.
Σ-7 Series	Not dependent on the controller version.
MP2000 Series	Not dependent on the controller version.
Σ-FT Series	Not dependent on the controller version.

No. 14 Improved column attributes setting of table data.

With opening table data from Data Management tree of System sub window, MPE720 would is down when copying or cutting the item of column attribute setting. So, it has been improved.

[Supported Versions]

○Controller

Controller	Supported Firmware Version
YRM-X	Not dependent on the controller version.
YRM-7	Not dependent on the controller version.
MP3000 Series	Not dependent on the controller version.
Σ-7 Series	Not dependent on the controller version.
MP2000 Series	Not dependent on the controller version.
Σ-FT Series	Not dependent on the controller version.