

Upgrade Information of MPE720 Version 7.67

1. Added and Improved Functions

1.1 Version 7.67 Upgrade Information

Items added and features improved from MPE720 version 7.66 to version 7.67 are as follows.

No.	Feature	Classification
1	Added support for Sigma-X FT55.	New function
2	Added support for Sigma-7C Y549.	New function
3	Added function for compiler version.	New function
4	Improved self-configuration of YRM-X.	Improving
5	Improved protocol switching of YRM-X.	Improving
6	Improved table data function of system window.	Improving
7	Improved real-time trace.	Improving
8	Improved point table editor of library catalog.	Improving
9	Improved alignment function of electronic cam tool.	Improving
10	Improved constant table (# register).	Improving

(*): When MPE720 Ver.7 before MPE720 Ver.7.11 is already installed in Windows Vista and Windows 7, it may not operate for the newest information of the servo model addition by the axial setup wizard function (the newest information added into the database) updated by after MPE720 Ver.7.13.

Please refer to the following page for operating procedures.

【About the restriction matter when using MPE720 Ver.7 in Windows Vista and Windows 7】

When MPE720 Ver.7 is used in Windows Vista and Windows 7, the following phenomena might be generated.

<Phenomena>

When MPE720 Ver.7 before MPE720 Ver.7.11 is already installed in Windows Vista and Windows 7, it may not operate for the newest information of the servo model addition by the axial setup wizard function (the newest information added into the database) updated by after MPE720 Ver.7.13.

<Measures>

Using a batch file, the following folder is deleted. (*1)

C:\Users\UserName(*2)\AppData\Local\VirtualStore\Program Files(*3)\YASKAWA\MPE720 Ver7

Procedure

1. The batch file enclosed by MPE720 Ver.7 installer is copied to a desktop.

【Download Version】

MPE720Ver7_xxx(*4)\Tools\CleanUp\MPE720Ver7_x86.bat (32bitOS)

MPE720Ver7_xxx(*4)\Tools\CleanUp\MPE720Ver7_x64.bat (64bitOS)

【DVD Media Version】

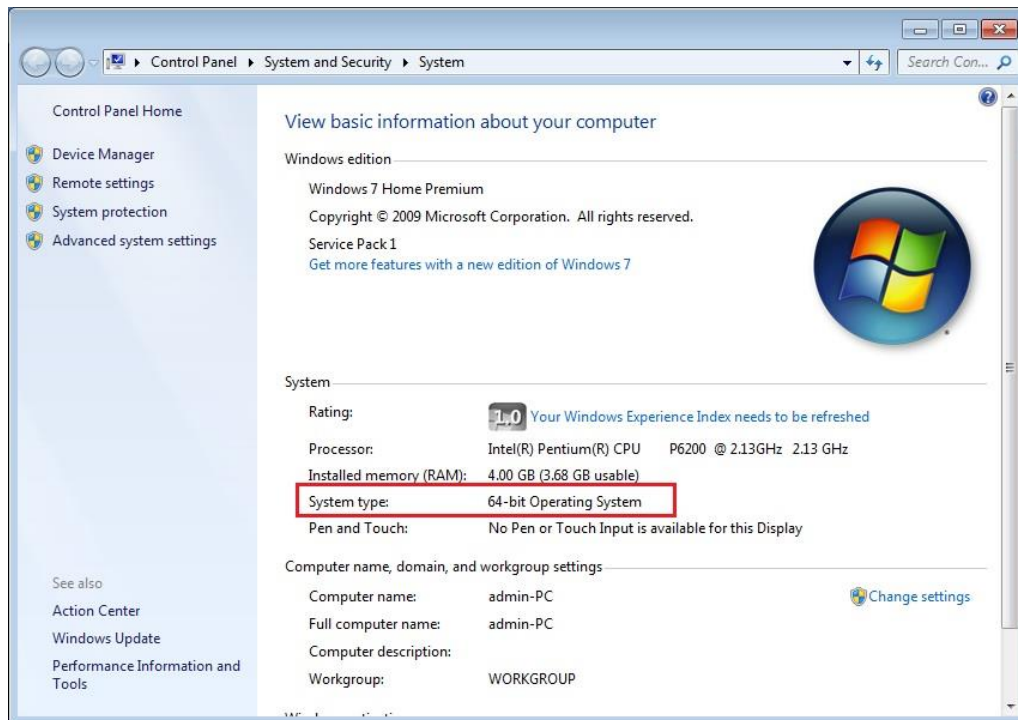
D(*5)\Tools\CleanUp\MPE720Ver7_x86.bat (32bitOS)

D(*5)\Tools\CleanUp\MPE720Ver7_x64.bat (64bitOS)

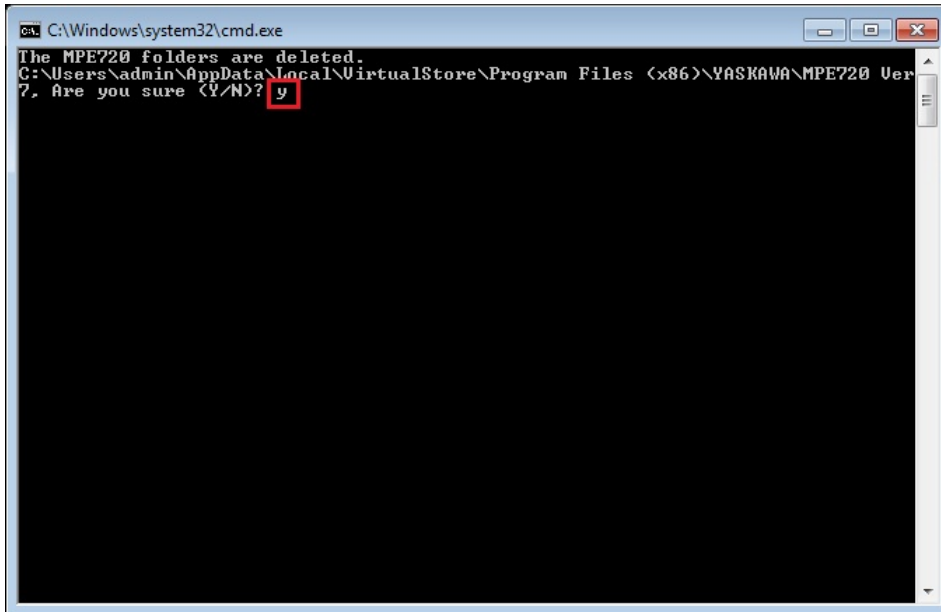
2. The copied batch file is performed.

MPE720Ver7_x86.bat (32bitOS)

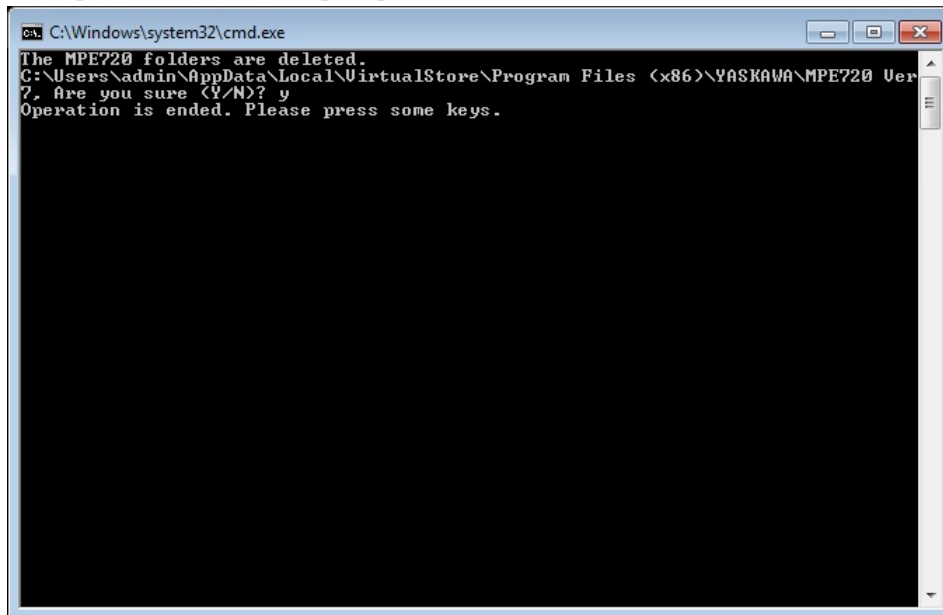
MPE720Ver7_x64.bat (64bitOS)



3. “y” is inputted on a command prompt and the Enter button is pushed.



4. The Enter button is pushed on a command prompt after deletion.



(*1): When multi-user is using one set of PC, please operate it by each user.

(*2): The user account name that logs in enters.

(*3): The path changes by OS.

32bitOS: Program Files

64bitOS: Program Files (x86)

(*4): The path changes by version.

(*5): The path changes by DVD drive.

(*6): When an installation path is changed at the time of MPE720 Ver.7 installation, please delete the “MPE720 Ver7” folder which a folder subordinate has below manually according to the installed path.

C:\Users\¥UserName(*2)\¥AppData\¥Local\¥VirtualStore

【About compile of the parallel circuit】

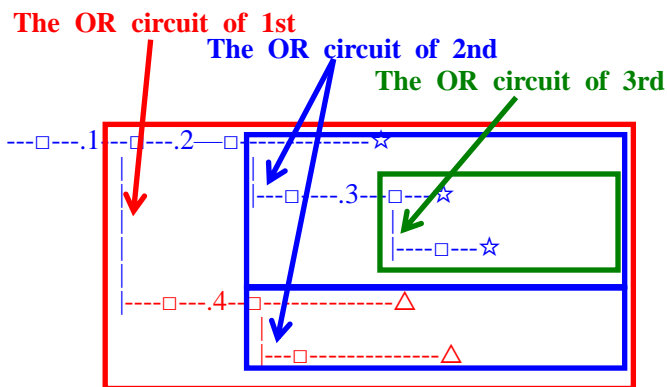
In the Ladder program of MPE720 Ver7 before MPE720 Ver7.23, when the parallel circuit is used, the following phenomena may occur.

<Phenomena>

When the circuit containing the following pattern was created, there was a phenomenon of operating without receiving the condition that the circuit below the OR circuit of 1st class must operate essentially in response to the conditional instruction before the OR circuit of 1st class.

<Measures>

When a phenomenon occurs, please carry out re-compile about the Ladder program in MPE720 Ver7 after MPE720 Ver7.24. Or please carry out again “Compile All Programs” of “Compile” menu.



The OR circuit of 1st class: The OR circuit branched from the bus-bar of language.

The OR circuit of 2nd class: The OR circuit branched out of the OR circuit of 1st class.

The OR circuit of 3rd class: The OR circuit branched out of the OR circuit of 2nd class.

□(Conditional instruction): NO Contact, NC Contact, Coil, instruction(==, !=, >, <), power line (-----) etc.

☆(Output instruction): Coil, Block instruction(Expression, STORE, COPYW) etc

※However, when all ☆ is coil commands, a phenomenon does not occur.

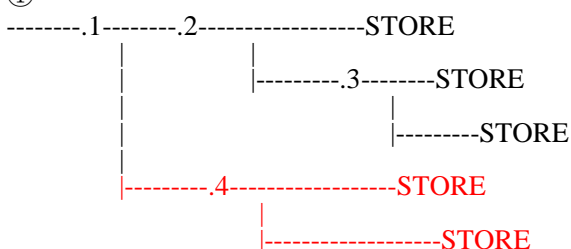
△(Output instruction): Coil, Block instruction(Expression, STORE, COPYW)etc

<Pattern>

Symbol	Instruction
[NO Contact
STORE	STORE instruction
()	Coil

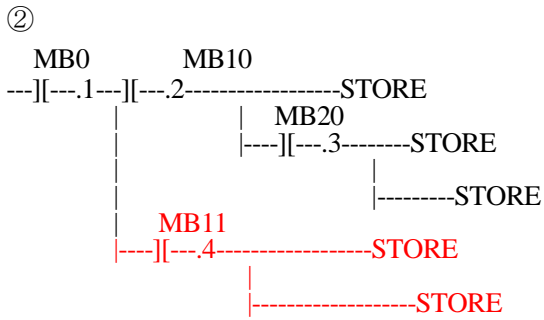
<NG Pattern>

①



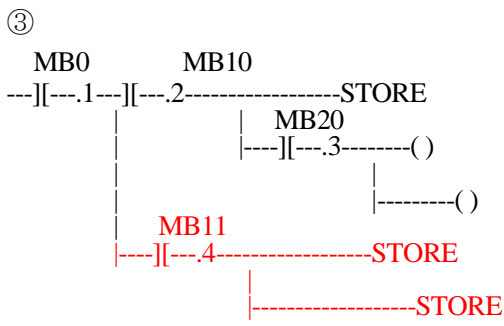
This pattern is minimum circuit pattern.

This is NG.



It is NG even if the minimum circuit pattern has conditional instructions (NO Contact etc.).

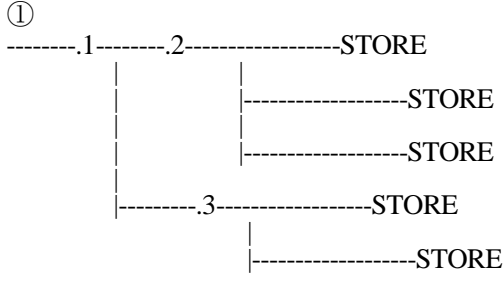
This is NG



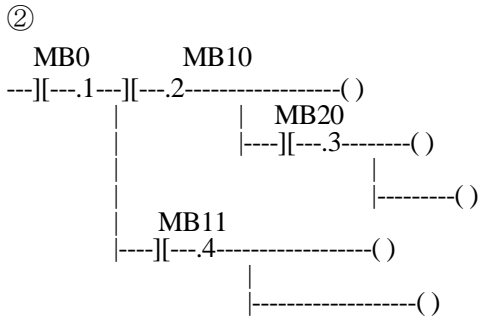
It is NG when there are at least one block commands (STORE command etc.) here.

This is NG

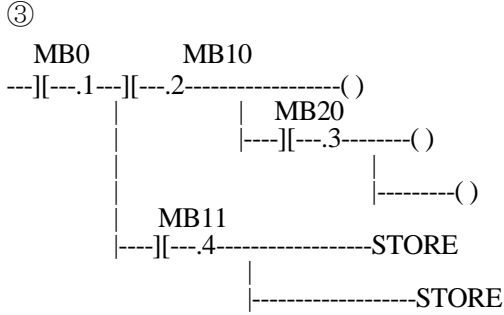
<OK Pattern>



Since it is the OR circuit of 2nd, it is OK.



Since it is the coil altogether, it is OK.



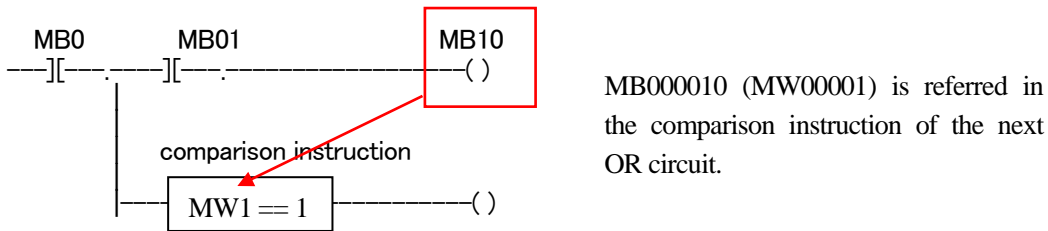
Since it is the coil altogether, it is OK.

【About compile with a comparison instruction in branch】

In the Ladder program of MPE720 Ver7 before MPE720 Ver7.63, when a comparison instruction is used in branch, the following phenomena may occur.

<Phenomena>

When the circuit containing the following pattern was created, the value of the register set in the upper OR circuit must be reflected to the comparison instructions in the lower OR circuit in the same scan. However, there was a phenomenon that it was reflected in the next scan.



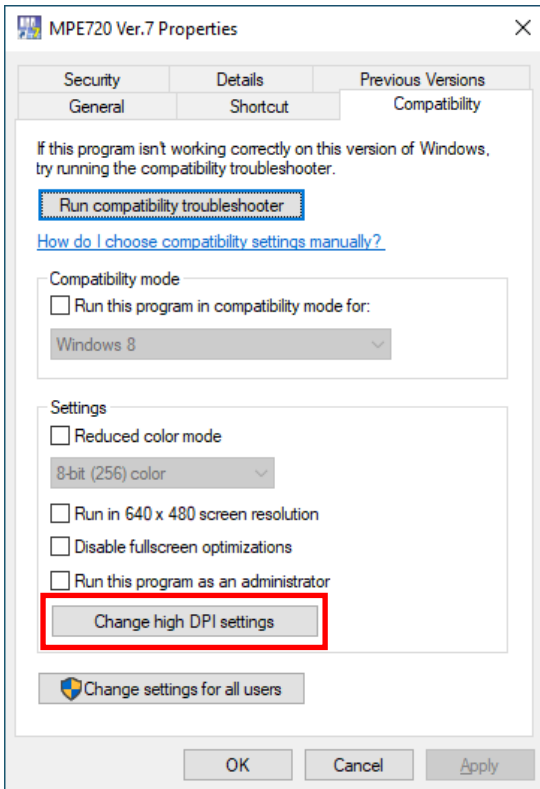
<Measures>

When a phenomenon occurs, please carry out re-compile about the Ladder program in MPE720 Ver7 after MPE720 Ver7.64. Or please carry out again “Compile All Programs” of “Compile” menu. Also, about these programs that include circuits with this pattern, the number of internal steps will change in Ver7.64 or later, so when cross-reference is performed in a project created in an earlier version, there is a possibility of jumping to an unintended location. In this case, please recompile too.

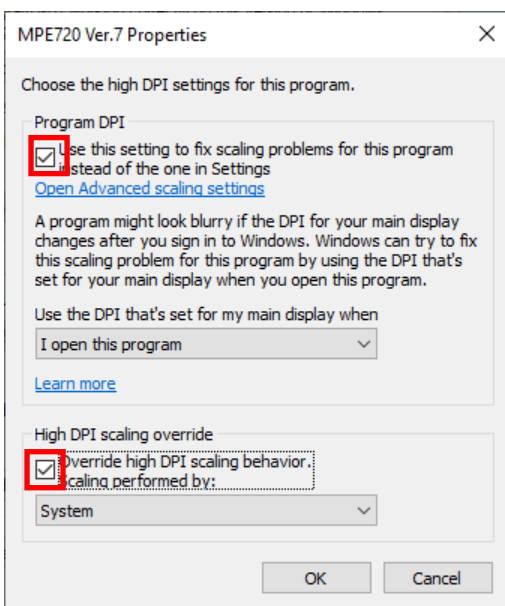
【About high DPI setting】

When MPE720 Ver.7 is started on a computer that supports high DPI such as a 4K display, part of MPE720 screen may not be displayed depending on the resolution and scale settings. From MPE720 Ver.7.67, the high DPI setting of MPE720's property is set to the own application's setting (not PC's setting). This avoids phenomena such as the screen being cut off. If you want to use the high DPI setting in your computer settings, follow the steps below to change the property settings.

- 1) Right-click the shortcut icon of MPE720 Ver.7 on the desktop and select "Properties".
- 2) Click "Change high DPI settings" button on the Compatibility tab.



- 3) Uncheck the both checkbox of the screen below and click the "OK" button.



1.2 Past Upgrade Information

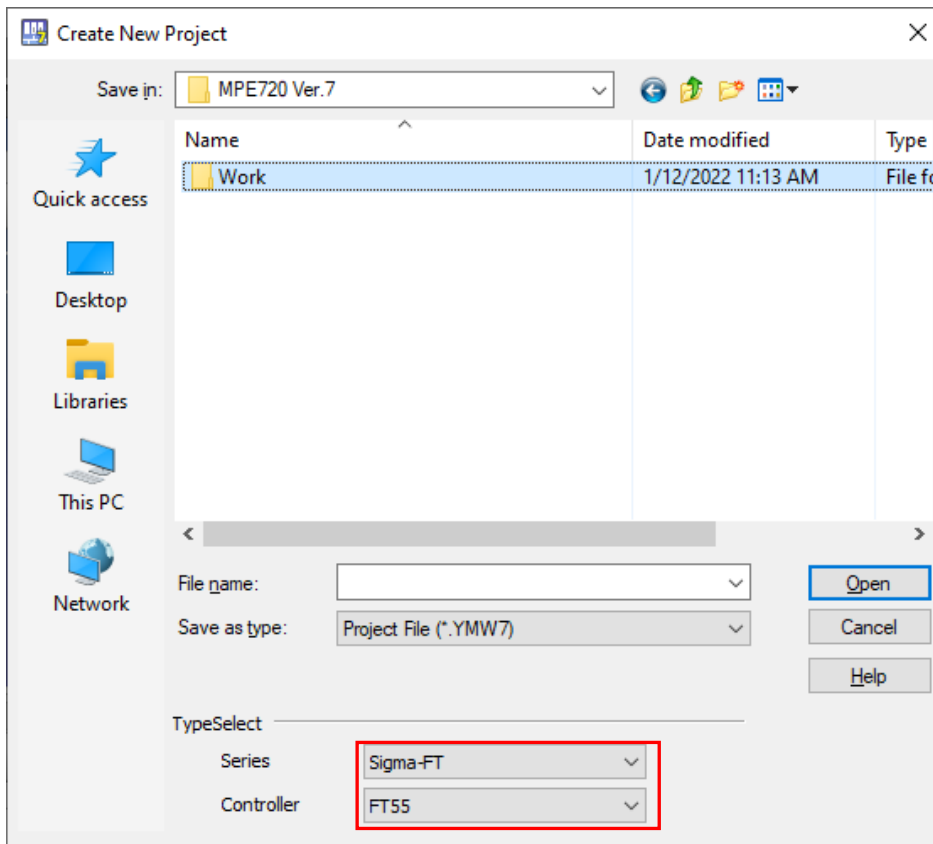
No.	Upgrade Information	Remarks
1	MPE720 version 7.11 upgrade information	version 7.10→version 7.11
2	MPE720 version 7.13 upgrade information	version 7.11→version 7.13
3	MPE720 version 7.14 upgrade information	version 7.13→version 7.14
4	MPE720 version 7.20 upgrade information	version 7.14→version 7.20
5	MPE720 version 7.21 upgrade information	version 7.20→version 7.21
6	MPE720 version 7.23 upgrade information	version 7.21→version 7.23
7	MPE720 version 7.24 upgrade information	version 7.23→version 7.24
8	MPE720 version 7.26 upgrade information	version 7.24→version 7.26
9	MPE720 version 7.27 upgrade information	version 7.26→version 7.27
10	MPE720 version 7.28 upgrade information	version 7.27→version 7.28
11	MPE720 version 7.29 upgrade information	version 7.28→version 7.29
12	MPE720 version 7.30 upgrade information	version 7.29→version 7.30
13	MPE720 version 7.31 upgrade information	version 7.30→version 7.31
14	MPE720 version 7.33 upgrade information	version 7.31→version 7.33
15	MPE720 version 7.34 upgrade information	version 7.33→version 7.34
16	MPE720 version 7.35 upgrade information	version 7.34→version 7.35
17	MPE720 version 7.36 upgrade information	version 7.35→version 7.36
18	MPE720 version 7.37 upgrade information	version 7.36→version 7.37
19	MPE720 version 7.38 upgrade information	version 7.37→version 7.38
20	MPE720 version 7.39 upgrade information	version 7.38→version 7.39
21	MPE720 version 7.40 upgrade information	version 7.39→version 7.40
22	MPE720 version 7.41 upgrade information	version 7.40→version 7.41
23	MPE720 version 7.42 upgrade information	version 7.41→version 7.42
24	MPE720 version 7.43 upgrade information	version 7.42→version 7.43
25	MPE720 version 7.44 upgrade information	version 7.43→version 7.44
26	MPE720 version 7.45 upgrade information	version 7.44→version 7.45
27	MPE720 version 7.46 upgrade information	version 7.45→version 7.46
28	MPE720 version 7.47 upgrade information	version 7.46→version 7.47
29	MPE720 version 7.50 upgrade information	version 7.47→version 7.50
30	MPE720 version 7.51 upgrade information	version 7.50→version 7.51
31	MPE720 version 7.52 upgrade information	version 7.51→version 7.52
32	MPE720 version 7.60 upgrade information	version 7.52→version 7.60
33	MPE720 version 7.62 upgrade information	version 7.60→version 7.62
34	MPE720 version 7.63 upgrade information	version 7.62→version 7.63
35	MPE720 version 7.64 upgrade information	version 7.63→version 7.64
36	MPE720 version 7.65 upgrade information	version 7.64→version 7.65
37	MPE720 version 7.66 upgrade information	version 7.65→version 7.66

2. Description

No. 1 Added support for Sigma-X FT55.

Support Sigma-X FT55 servo.

1) A project file can be created by specifying the series name "Sigma-FT" and model "FT55".



2) It can be connected to the Sigma-X FT55 and engineer the controller function.

[Supported Versions]

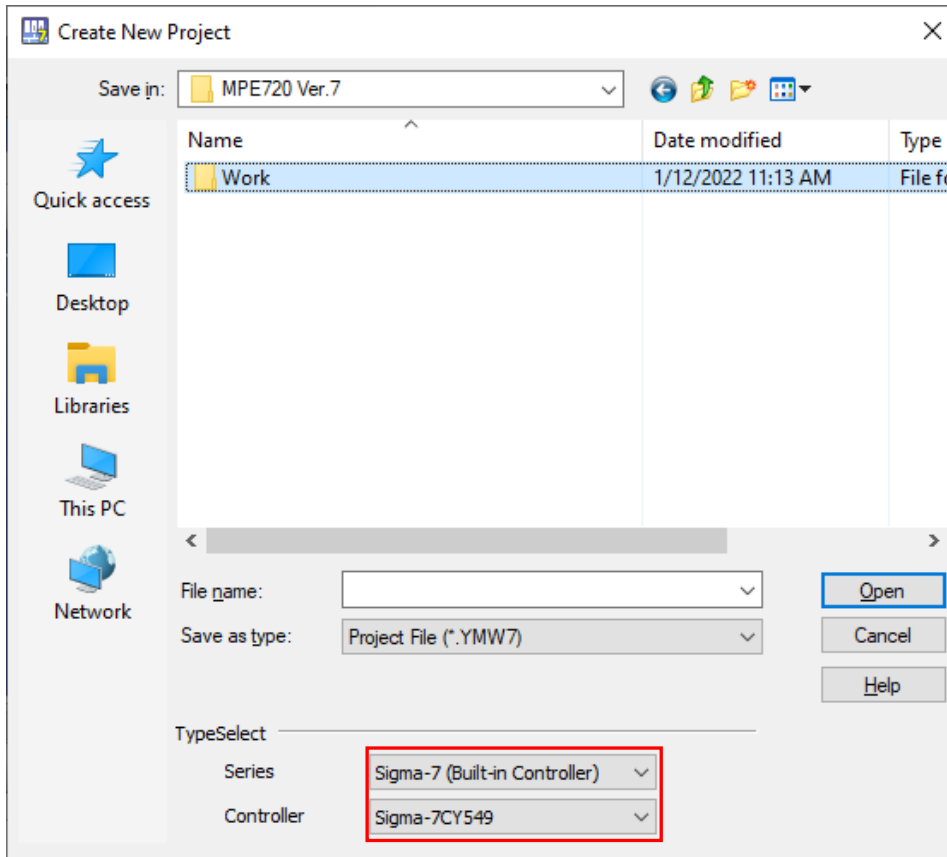
oServo

Servo	Supported Firmware Version
Sigma-X FT55	Not dependent on the controller version.

No. 2 Added support for Sigma-7C Y549.

Support Sigma-7C Y549 build-in controller.

1) A project file can be created by specifying the series name "Sigma-7 (Build-in Controller)" and model "Sigma-7CY549".



2) It can be connected to the Sigma-7C Y549 controller for engineering.

[Supported Versions]

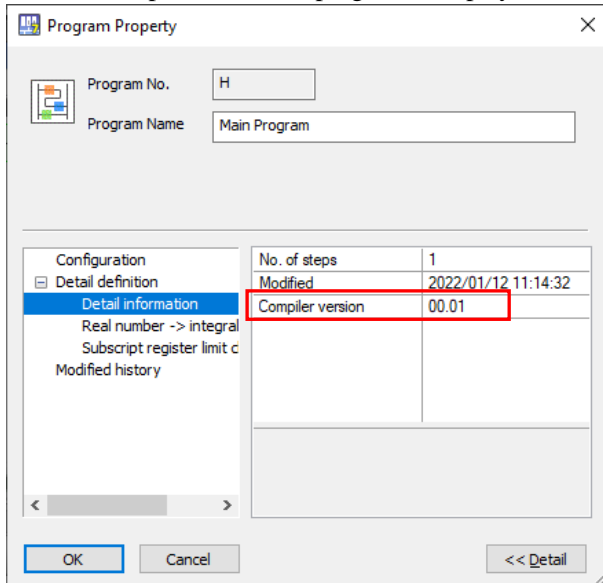
○Controller

Controller	Supported Firmware Version
Sigma-7C Y549	1.18

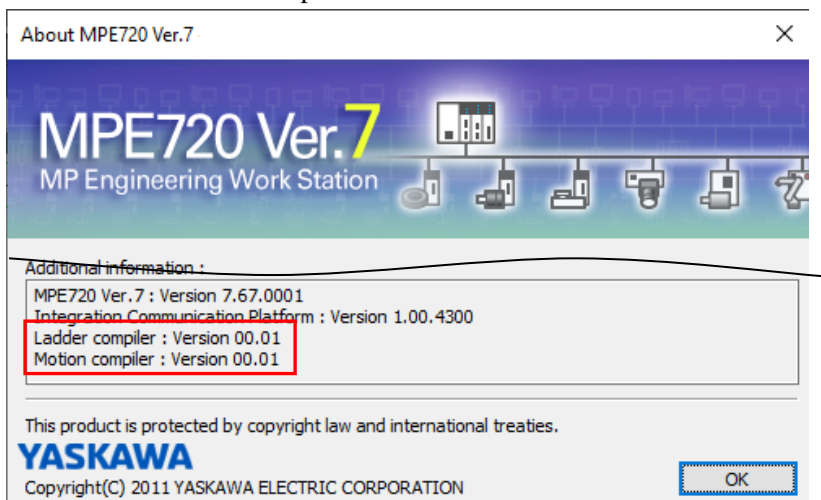
No. 3 Added function for compiler version.

Added the function to display the compiler version of ladder program and motion program. The compiler version of MPE720 Ver.7.67 is 00.01. The version before is all 00.00.

- The compiler version of program is displayed in the detail information on the program property screen.



- You can check the compiler version of MPE720 Ver.7 in the version information.



[Supported Versions]

○Controller

Controller	Supported Firmware Version
YRM-X	Not dependent on the controller version.
YRM-7	Not dependent on the controller version.
MP3000 Series	Not dependent on the controller version.
Σ-7 Series	Not dependent on the controller version.
MP2000 Series	Not dependent on the controller version.

No. 4 Improved self-configuration of YRM-X.

The self-configuration of the specified module did not work with YRM-X, so it has been improved.

[Supported Versions]

○Controller

Controller	Supported Firmware Version
YRM-X	Not dependent on the controller version.

No. 5 Improved protocol switching of YRM-X.

The error was not displayed when switching the YRM-X protocol with the servo on, so it has been improved.

[Supported Versions]

○Controller

Controller	Supported Firmware Version
YRM-X	Not dependent on the controller version.

No. 6 Improved table data function of system window.

The error occurred when creating 8-character table data from table data under data management tree in the system window, so it has been improved.

[Supported Versions]

○Controller

Controller	Supported Firmware Version
YRM-X	Not dependent on the controller version.
YRM-7	Not dependent on the controller version.
MP3000 Series	Not dependent on the controller version.
Σ-7 Series	Not dependent on the controller version.
MP2000 Series	Not dependent on the controller version.

No. 7 Improved real-time trace.

Real-time trace has been improved.

- 1) When the trace definition was loaded, the number of traces was recalculated, and the scale of the graph became incorrect, so it has been improved.
- 2) When the real-time trace was executed in MP2000 compatible mode, the trigger wait screen after the second time was not appropriate, so it has been improved.

[Supported Versions]

○Controller

Controller	Supported Firmware Version
YRM-X	Not dependent on the controller version.
YRM-7	Not dependent on the controller version.
MP3000 Series	Not dependent on the controller version.
Σ-7 Series	Not dependent on the controller version.
MP2000 Series	Not dependent on the controller version.

No. 8 Improved point table editor of library catalog.

When binary or hexadecimal is used in point table of library catalog, it could not be saved even if it was edited, so it has been improved.

[Supported Versions]

○Controller

Controller	Supported Firmware Version
MP3000 Series	Not dependent on the controller version.
Σ-7 Series	Not dependent on the controller version.
MP2000 Series	Not dependent on the controller version.

No. 9 Improved alignment function of electronic cam tool.

When the existing cam tool data was opened by cam tool from data management tree of system window, it could not be saved, so it has been improved.

[Supported Versions]

○Controller

Controller	Supported Firmware Version
YRM-X	Not dependent on the controller version.
YRM-7	Not dependent on the controller version.
MP3000 Series	Not dependent on the controller version.
Σ-7 Series	Not dependent on the controller version.
MP2000 Series	Not dependent on the controller version.

No. 10 Improved constant table (# register).

The number of digits of the # register in the constant table was not displayed correctly, so it has been improved.

[Supported Versions]

○Controller

Controller	Supported Firmware Version
YRM-X	Not dependent on the controller version.
YRM-7	Not dependent on the controller version.
MP3000 Series	Not dependent on the controller version.
Σ-7 Series	Not dependent on the controller version.
MP2000 Series	Not dependent on the controller version.