

## **Upgrade Information of MPE720 Version 7.66**

### **1. Added and Improved Functions**

#### **1.1 Version 7.66 Upgrade Information**

Items added and features improved from MPE720 version 7.65 to version 7.66 are as follows.

No.	Feature	Classification
1	Added support for CPU-203F.	New function
2	Added M-4 protocol switching function for YRM-X.	New function
3	Improved System monitor.	Improving
4	Improved ladder program tree of CPU-203.	Improving

(\*): When MPE720 Ver.7 before MPE720 Ver.7.11 is already installed in Windows Vista and Windows 7, it may not operate for the newest information of the servo model addition by the axial setup wizard function (the newest information added into the database) updated by after MPE720 Ver.7.13.

Please refer to the following page for operating procedures.

## 【About the restriction matter when using MPE720 Ver.7 in Windows Vista and Windows 7】

When MPE720 Ver.7 is used in Windows Vista and Windows 7, the following phenomena might be generated.

### <Phenomena>

When MPE720 Ver.7 before MPE720 Ver.7.11 is already installed in Windows Vista and Windows 7, it may not operate for the newest information of the servo model addition by the axial setup wizard function (the newest information added into the database) updated by after MPE720 Ver.7.13.

### <Measures>

Using a batch file, the following folder is deleted. (\*1)

C:\Users\UserName(\*2)\AppData\Local\VirtualStore\Program Files(\*3)\YASKAWA\MPE720 Ver7

### Procedure

1. The batch file enclosed by MPE720 Ver.7 installer is copied to a desktop.

#### 【Download Version】

MPE720Ver7\_xxx(\*4)\Tools\CleanUp\MPE720Ver7\_x86.bat (32bitOS)

MPE720Ver7\_xxx(\*4)\Tools\CleanUp\MPE720Ver7\_x64.bat (64bitOS)

#### 【DVD Media Version】

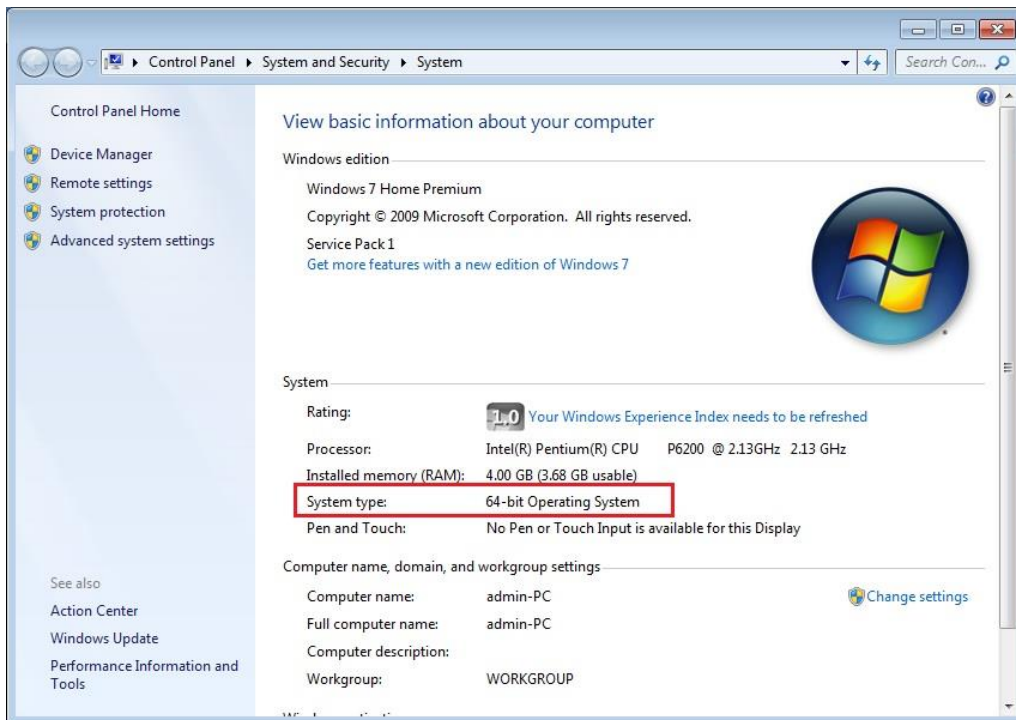
D(\*5)\Tools\CleanUp\MPE720Ver7\_x86.bat (32bitOS)

D(\*5)\Tools\CleanUp\MPE720Ver7\_x64.bat (64bitOS)

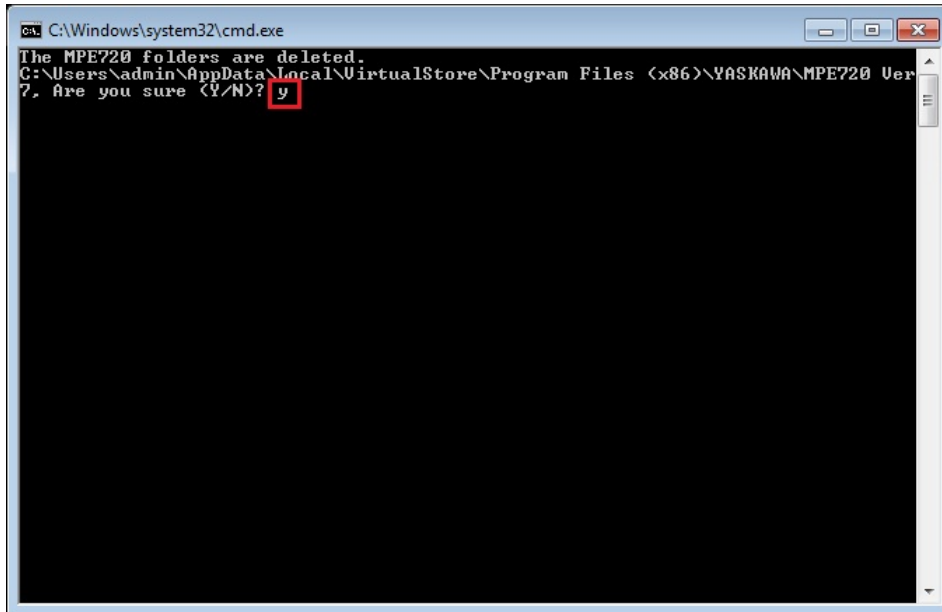
2. The copied batch file is performed.

MPE720Ver7\_x86.bat (32bitOS)

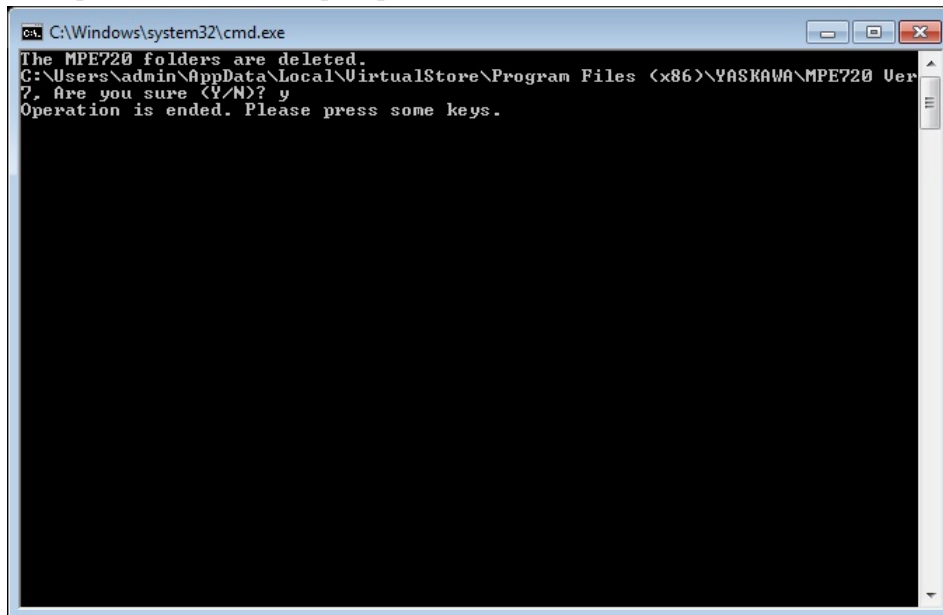
MPE720Ver7\_x64.bat (64bitOS)



3. “y” is inputted on a command prompt and the Enter button is pushed.



4. The Enter button is pushed on a command prompt after deletion.



- (\*1): When multi-user is using one set of PC, please operate it by each user.
- (\*2): The user account name that logs in enters.
- (\*3): The path changes by OS.
  - 32bitOS: Program Files
  - 64bitOS: Program Files (x86)
- (\*4): The path changes by version.
- (\*5): The path changes by DVD drive.
- (\*6): When an installation path is changed at the time of MPE720 Ver.7 installation, please delete the “MPE720 Ver7” folder which a folder subordinate has below manually according to the installed path.
  - C:\Users\¥UserName(\*2)\¥AppData\¥Local\¥VirtualStore

## 【About compile of the parallel circuit】

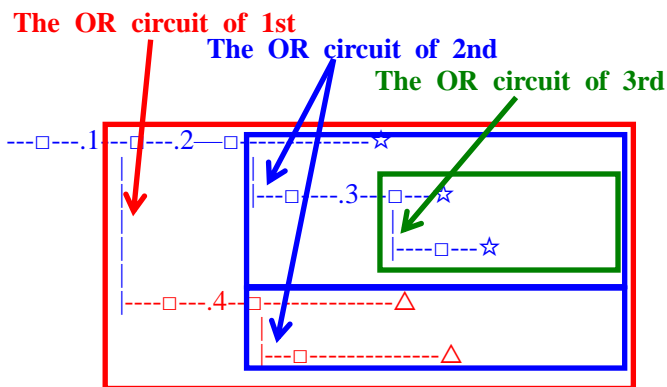
In the Ladder program of MPE720 Ver7 before MPE720 Ver7.23, when the parallel circuit is used, the following phenomena may occur.

<Phenomena>

When the circuit containing the following pattern was created, there was a phenomenon of operating without receiving the condition that the circuit below the OR circuit of 1<sup>st</sup> class must operate essentially in response to the conditional instruction before the OR circuit of 1<sup>st</sup> class.

<Measures>

When a phenomenon occurs, please carry out re-compile about the Ladder program in MPE720 Ver7 after MPE720 Ver7.24. Or please carry out again “Compile All Programs” of “Compile” menu.



The OR circuit of 1st class: The OR circuit branched from the bus-bar of language.

The OR circuit of 2nd class: The OR circuit branched out of the OR circuit of 1st class.

The OR circuit of 3rd class: The OR circuit branched out of the OR circuit of 2nd class.

□(Conditional instruction): NO Contact, NC Contact, Coil, instruction(==, !=, >, <), power line (-----) etc.

☆(Output instruction): Coil, Block instruction(Expression, STORE, COPYW) etc

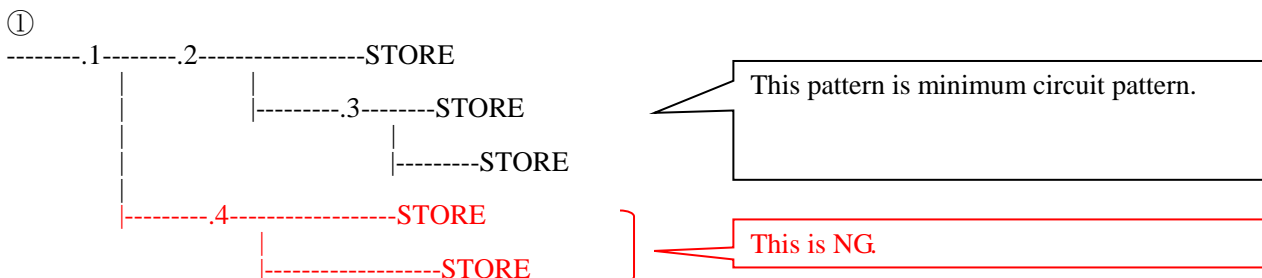
※However, when all ☆ is coil commands, a phenomenon does not occur.

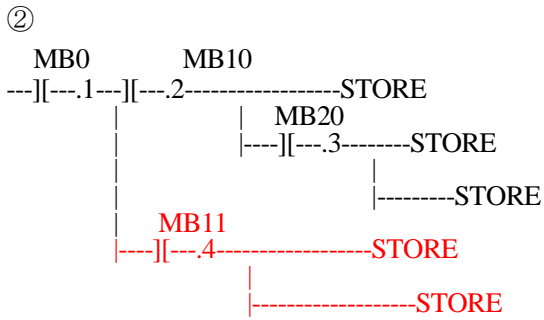
△(Output instruction): Coil, Block instruction(Expression, STORE, COPYW)etc

<Pattern>

Symbol	Instruction
[	NO Contact
STORE	STORE instruction
()	Coil

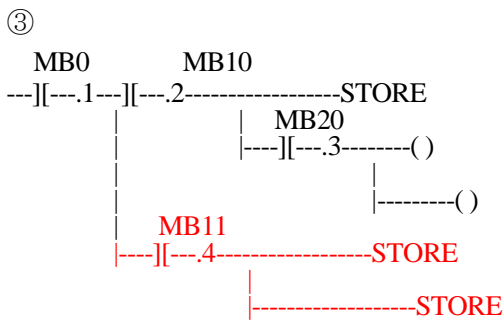
<NG Pattern>





It is NG even if the minimum circuit pattern has conditional instructions (NO Contact etc.).

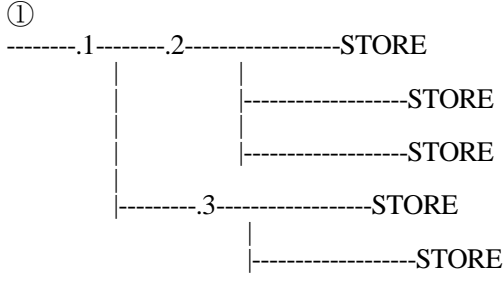
This is NG



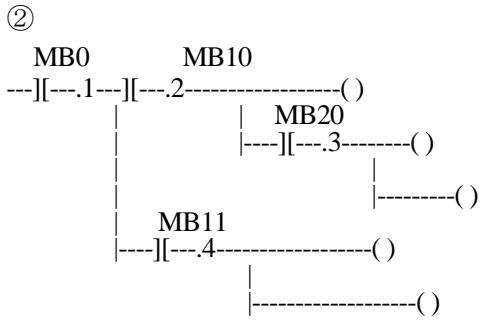
It is NG when there are at least one block commands (STORE command etc.) here.

This is NG

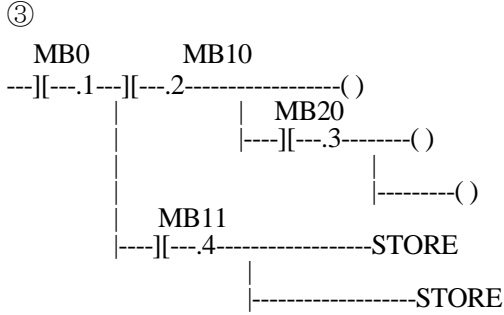
<OK Pattern>



Since it is the OR circuit of 2nd, it is OK.



Since it is the coil altogether, it is OK.



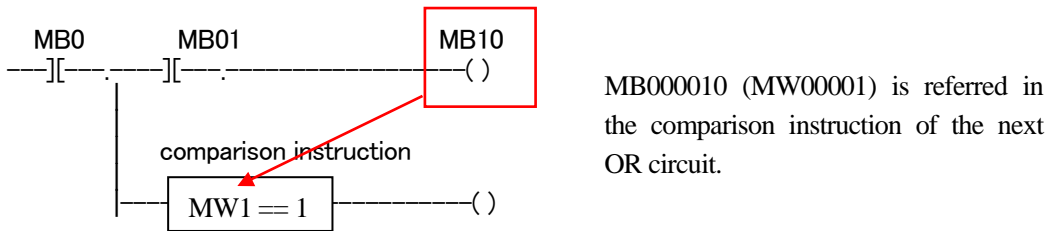
Since it is the coil altogether, it is OK.

## 【About compile with a comparison instruction in branch】

In the Ladder program of MPE720 Ver7 before MPE720 Ver7.63, when a comparison instruction is used in branch, the following phenomena may occur.

<Phenomena>

When the circuit containing the following pattern was created, the value of the register set in the upper OR circuit must be reflected to the comparison instructions in the lower OR circuit in the same scan. However, there was a phenomenon that it was reflected in the next scan.



<Measures>

When a phenomenon occurs, please carry out re-compile about the Ladder program in MPE720 Ver7 after MPE720 Ver7.64. Or please carry out again “Compile All Programs” of “Compile” menu. Also, about these programs that include circuits with this pattern, the number of internal steps will change in Ver7.64 or later, so when cross-reference is performed in a project created in an earlier version, there is a possibility of jumping to an unintended location. In this case, please recompile too.

## 1.2 Past Upgrade Information

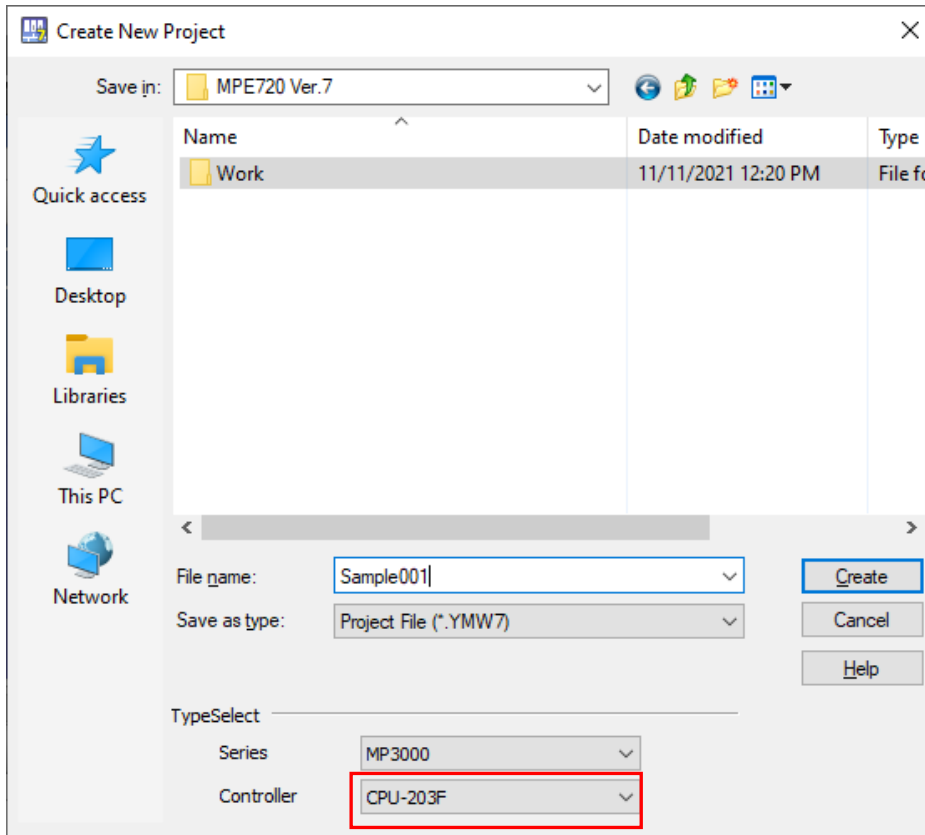
No.	Upgrade Information	Remarks
1	<a href="#">MPE720 version 7.11 upgrade information</a>	version 7.10→version 7.11
2	<a href="#">MPE720 version 7.13 upgrade information</a>	version 7.11→version 7.13
3	<a href="#">MPE720 version 7.14 upgrade information</a>	version 7.13→version 7.14
4	<a href="#">MPE720 version 7.20 upgrade information</a>	version 7.14→version 7.20
5	<a href="#">MPE720 version 7.21 upgrade information</a>	version 7.20→version 7.21
6	<a href="#">MPE720 version 7.23 upgrade information</a>	version 7.21→version 7.23
7	<a href="#">MPE720 version 7.24 upgrade information</a>	version 7.23→version 7.24
8	<a href="#">MPE720 version 7.26 upgrade information</a>	version 7.24→version 7.26
9	<a href="#">MPE720 version 7.27 upgrade information</a>	version 7.26→version 7.27
10	<a href="#">MPE720 version 7.28 upgrade information</a>	version 7.27→version 7.28
11	<a href="#">MPE720 version 7.29 upgrade information</a>	version 7.28→version 7.29
12	<a href="#">MPE720 version 7.30 upgrade information</a>	version 7.29→version 7.30
13	<a href="#">MPE720 version 7.31 upgrade information</a>	version 7.30→version 7.31
14	<a href="#">MPE720 version 7.33 upgrade information</a>	version 7.31→version 7.33
15	<a href="#">MPE720 version 7.34 upgrade information</a>	version 7.33→version 7.34
16	<a href="#">MPE720 version 7.35 upgrade information</a>	version 7.34→version 7.35
17	<a href="#">MPE720 version 7.36 upgrade information</a>	version 7.35→version 7.36
18	<a href="#">MPE720 version 7.37 upgrade information</a>	version 7.36→version 7.37
19	<a href="#">MPE720 version 7.38 upgrade information</a>	version 7.37→version 7.38
20	<a href="#">MPE720 version 7.39 upgrade information</a>	version 7.38→version 7.39
21	<a href="#">MPE720 version 7.40 upgrade information</a>	version 7.39→version 7.40
22	<a href="#">MPE720 version 7.41 upgrade information</a>	version 7.40→version 7.41
23	<a href="#">MPE720 version 7.42 upgrade information</a>	version 7.41→version 7.42
24	<a href="#">MPE720 version 7.43 upgrade information</a>	version 7.42→version 7.43
25	<a href="#">MPE720 version 7.44 upgrade information</a>	version 7.43→version 7.44
26	<a href="#">MPE720 version 7.45 upgrade information</a>	version 7.44→version 7.45
27	<a href="#">MPE720 version 7.46 upgrade information</a>	version 7.45→version 7.46
28	<a href="#">MPE720 version 7.47 upgrade information</a>	version 7.46→version 7.47
29	<a href="#">MPE720 version 7.50 upgrade information</a>	version 7.47→version 7.50
30	<a href="#">MPE720 version 7.51 upgrade information</a>	version 7.50→version 7.51
31	<a href="#">MPE720 version 7.52 upgrade information</a>	version 7.51→version 7.52
32	<a href="#">MPE720 version 7.60 upgrade information</a>	version 7.52→version 7.60
33	<a href="#">MPE720 version 7.62 upgrade information</a>	version 7.60→version 7.62
34	<a href="#">MPE720 version 7.63 upgrade information</a>	version 7.62→version 7.63
35	<a href="#">MPE720 version 7.64 upgrade information</a>	version 7.63→version 7.64
36	<a href="#">MPE720 version 7.65 upgrade information</a>	version 7.64→version 7.65

## 2. Description

### No. 1 Added support for CPU-203F.

Support CPU-203F controller.

1) A project file can be created by specifying the series name "MP3000" and model "CPU-203F".



2) It can be connected to the CPU-203F controller for engineering.

[Supported Versions]

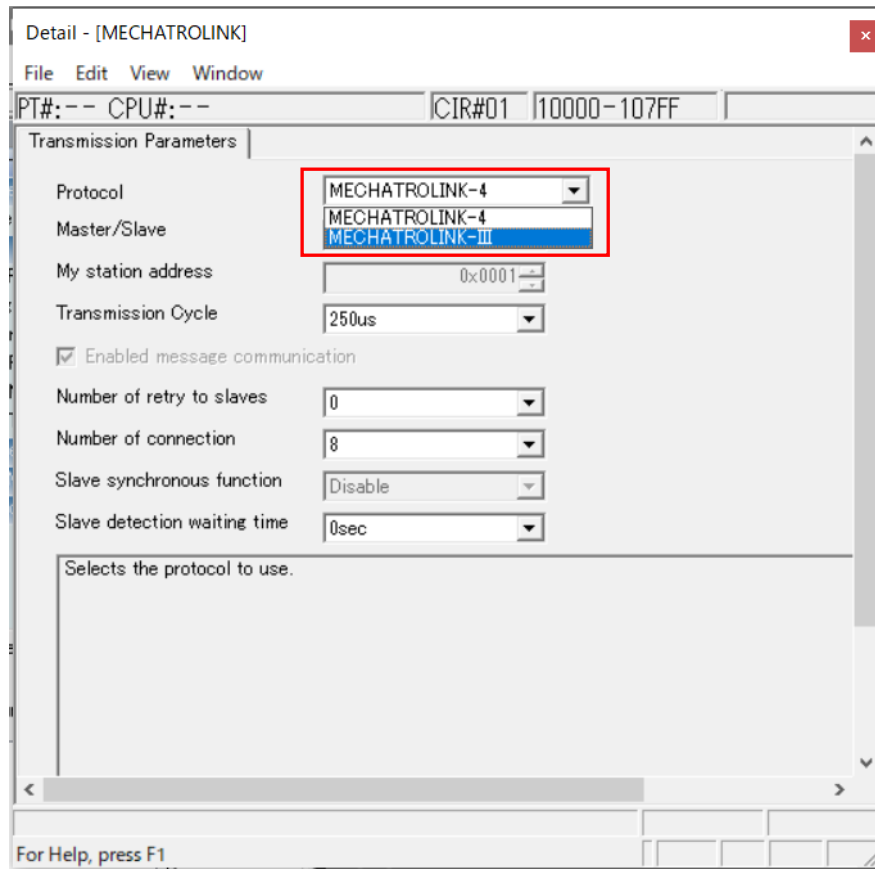
○Controller

Controller	Supported Firmware Version
CPU-203F	1.59



## No. 2 Added M-4 protocol changing function for YRM-X.

M-4 protocol is switched to M-3 in the detailed definition of MECHATROLINK module of YRM-X.



[Supported Versions]

○Controller

Controller	Supported Firmware Version
YRM-X	1.04 (will release in December 2021)

## No. 3 Improved System monitor.

When I/O error occurs in a module, another module may be displayed as a result of analysis by System monitor, so this has been improved.

[Supported Versions]

○Controller

Controller	Supported Firmware Version
YRM-X	Not dependent on the controller version.
YRM-7	Not dependent on the controller version.
MP3000 Series	Not dependent on the controller version.
Σ-7 Series	Not dependent on the controller version.
MP2000 Series	Not dependent on the controller version.

#### **No. 4 Improved ladder program tree of CPU-203.**

When CPU-203 project created with MPE720 Ver.7.65 was opened in MPE720 Ver.7.64 or Ver.7.63, drawing H was displayed as "Cell Program" in the ladder program tree and could not be opened. So it has been improved.

[Supported Versions]

○Controller

Controller	Supported Firmware Version
CPU-203	Not dependent on the controller version.
CPU-203SUB	