

Upgrade Information of MPE720 Version 7.51

1. Added and Improved Functions

1.1 Version 7.51 Upgrade Information

Items added and features improved from MPE720 version 7.50 to version 7.51 are as follows.

No.	Feature	Classification
1	Improvement of opening ladder program.	Improvement
2	Improvement of servo parameter setting of Sigma-2 + NS100.	Improvement
3	Improvement of opening project file.	Improvement

(*): When MPE720 Ver.7 before MPE720 Ver.7.11 is already installed in Windows Vista and Windows 7, it may not operate for the newest information of the servo model addition by the axial setup wizard function (the newest information added into the database) updated by after MPE720 Ver.7.13.

Please refer to the following page for operating procedures.

【About the restriction matter when using MPE720 Ver.7 in Windows Vista and Windows 7】

When MPE720 Ver.7 is used in Windows Vista and Windows 7, the following phenomena might be generated.

<Phenomena>

When MPE720 Ver.7 before MPE720 Ver.7.11 is already installed in Windows Vista and Windows 7, it may not operate for the newest information of the servo model addition by the axial setup wizard function (the newest information added into the database) updated by after MPE720 Ver.7.13.

<Measures>

Using a batch file, the following folder is deleted. (*1)

C:\Users\UserName(*2)\AppData\Local\VirtualStore\Program Files(*3)\YASKAWA\MPE720 Ver7

Procedure

1. The batch file enclosed by MPE720 Ver.7 installer is copied to a desktop.

【Download Version】

MPE720Ver7_xxx(*4)\Tools\CleanUp\MPE720Ver7_x86.bat (32bitOS)

MPE720Ver7_xxx(*4)\Tools\CleanUp\MPE720Ver7_x64.bat (64bitOS)

【DVD Media Version】

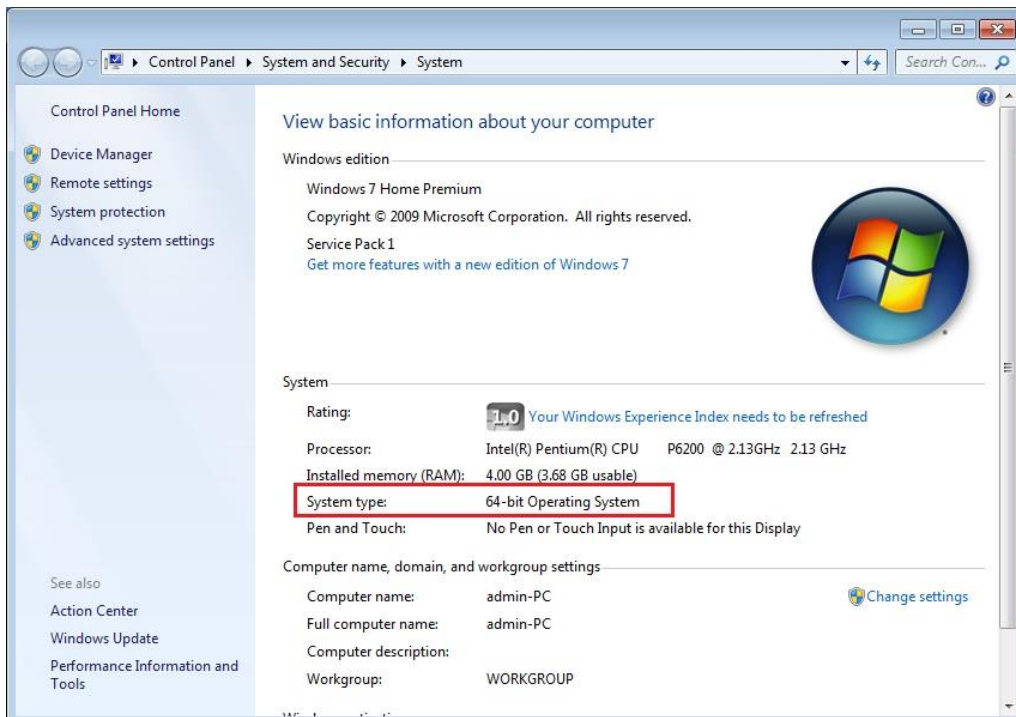
D(*5)\Tools\CleanUp\MPE720Ver7_x86.bat (32bitOS)

D(*5)\Tools\CleanUp\MPE720Ver7_x64.bat (64bitOS)

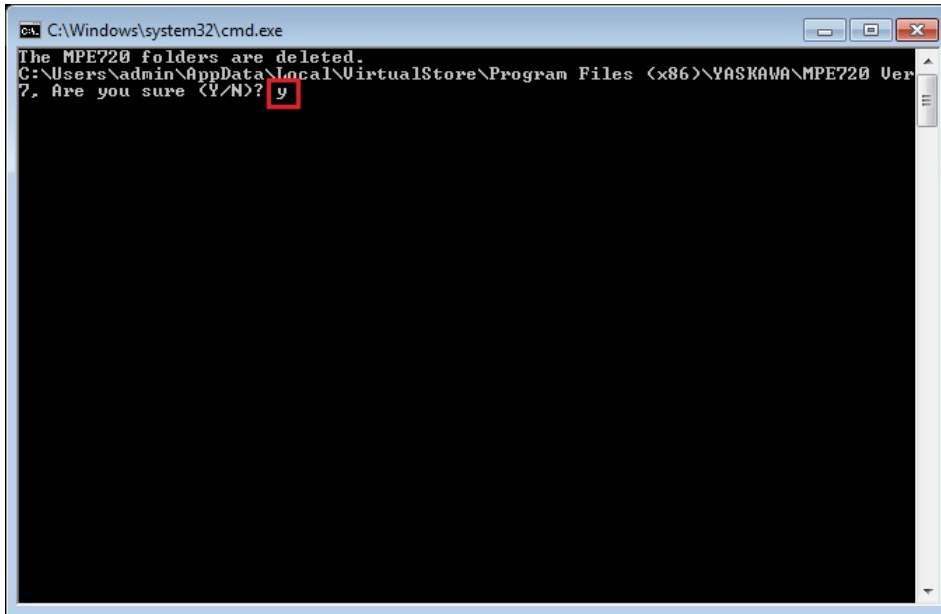
2. The copied batch file is performed.

MPE720Ver7_x86.bat (32bitOS)

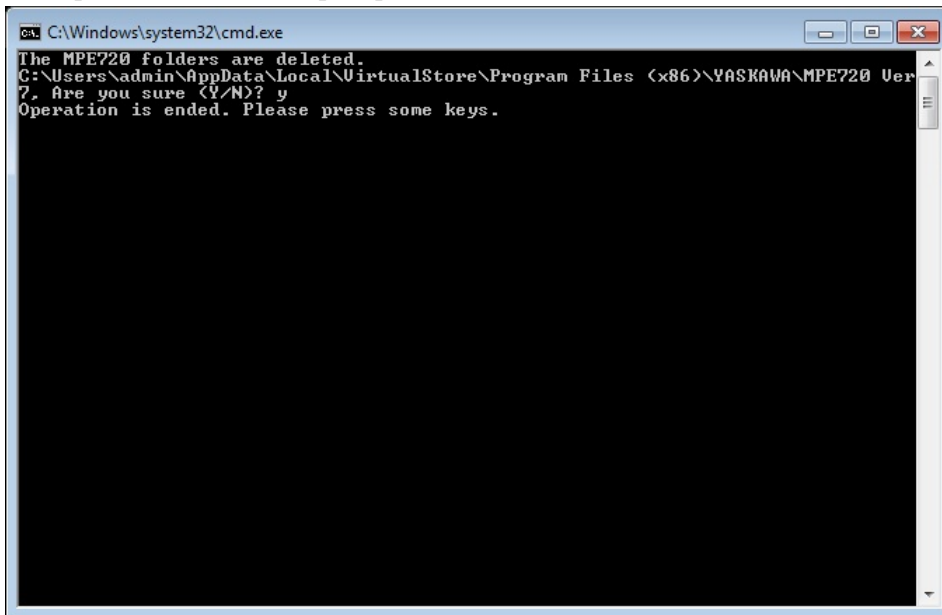
MPE720Ver7_x64.bat (64bitOS)



3. “y” is inputted on a command prompt and the Enter button is pushed.



4. The Enter button is pushed on a command prompt after deletion.



(*1): When multi-user is using one set of PC, please operate it by each user.

(*2): The user account name that logs in enters.

(*3): The path changes by OS.

32bitOS: Program Files

64bitOS: Program Files (x86)

(*4): The path changes by version.

(*5): The path changes by DVD drive.

(*6): When an installation path is changed at the time of MPE720 Ver.7 installation, please delete the “MPE720 Ver7” folder which a folder subordinate has below manually according to the installed path.

C:\Users\¥UserName(*2)\¥AppData\¥Local\¥VirtualStore

【About compile of the parallel circuit】

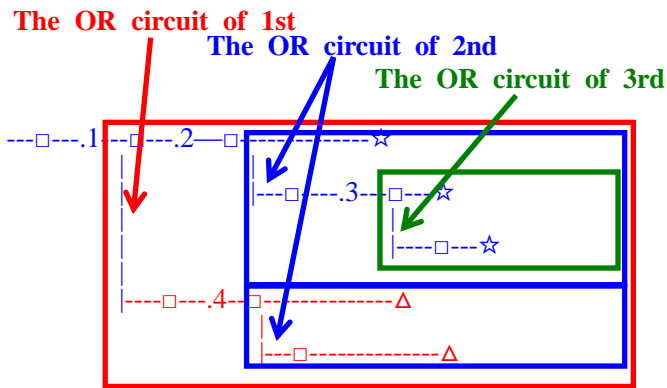
In the Ladder program of MPE720 Ver7 before MPE720 Ver7.23, when the parallel circuit is used, the following phenomena may occur.

<Phenomena>

When the circuit containing the following pattern was created, there was a phenomenon of operating without receiving the condition that the circuit below the OR circuit of 1st class must operate essentially in response to the conditional instruction before the OR circuit of 1st class.

<Measures>

When a phenomenon occurs, please carry out re-compile about the Ladder program in MPE720 Ver7 after MPE720 Ver7.24. Or please carry out again “Compile All Programs” of “Compile” menu.



The OR circuit of 1st class: The OR circuit branched from the bus-bar of language.

The OR circuit of 2nd class: The OR circuit branched out of the OR circuit of 1st class.

The OR circuit of 3rd class: The OR circuit branched out of the OR circuit of 2nd class.

□(Conditional instruction): NO Contact, NC Contact, Coil, instruction(==, !=, >, <), power line (-----) etc.

☆(Output instruction): Coil, Block instruction(Expression, STORE, COPYW) etc

※However, when all ☆ is coil commands, a phenomenon does not occur.

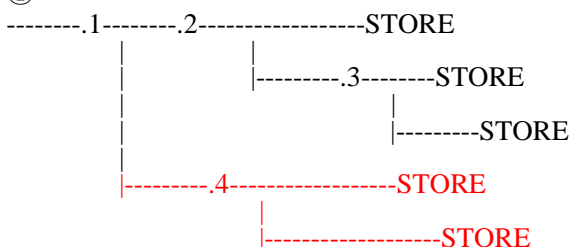
△(Output instruction): Coil, Block instruction(Expression, STORE, COPYW)etc

<Pattern>

Symbol	Instruction
[NO Contact
STORE	STORE instruction
()	Coil

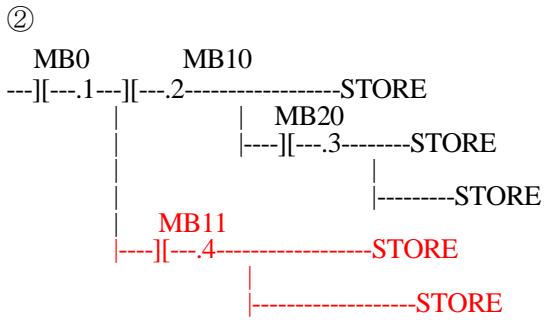
<NG Pattern>

①



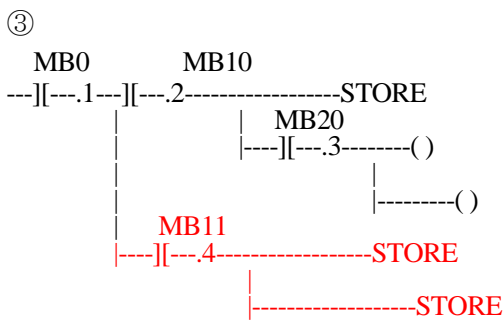
This pattern is minimum circuit pattern.

This is NG.



It is NG even if the minimum circuit pattern has conditional instructions (NO Contact etc.).

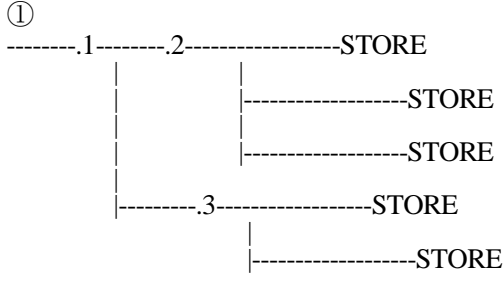
This is NG



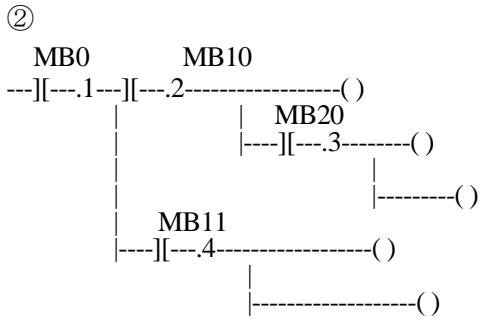
It is NG when there are at least one block commands (STORE command etc.) here.

This is NG

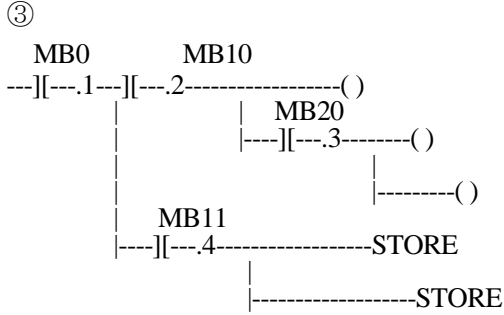
<OK Pattern>



Since it is the OR circuit of 2nd, it is OK.



Since it is the coil altogether, it is OK.



Since it is the coil altogether, it is OK.

1.2 Past Upgrade Information

No.	Upgrade Information	Remarks
1	MPE720 version 7.11 upgrade information	version 7.10→version 7.11
2	MPE720 version 7.13 upgrade information	version 7.11→version 7.13
3	MPE720 version 7.14 upgrade information	version 7.13→version 7.14
4	MPE720 version 7.20 upgrade information	version 7.14→version 7.20
5	MPE720 version 7.21 upgrade information	version 7.20→version 7.21
6	MPE720 version 7.23 upgrade information	version 7.21→version 7.23
7	MPE720 version 7.24 upgrade information	version 7.23→version 7.24
8	MPE720 version 7.26 upgrade information	version 7.24→version 7.26
9	MPE720 version 7.27 upgrade information	version 7.26→version 7.27
10	MPE720 version 7.28 upgrade information	version 7.27→version 7.28
11	MPE720 version 7.29 upgrade information	version 7.28→version 7.29
12	MPE720 version 7.30 upgrade information	version 7.29→version 7.30
13	MPE720 version 7.31 upgrade information	version 7.30→version 7.31
14	MPE720 version 7.33 upgrade information	version 7.31→version 7.33
15	MPE720 version 7.34 upgrade information	version 7.33→version 7.34
16	MPE720 version 7.35 upgrade information	version 7.34→version 7.35
17	MPE720 version 7.36 upgrade information	version 7.35→version 7.36
18	MPE720 version 7.37 upgrade information	version 7.36→version 7.37
19	MPE720 version 7.38 upgrade information	version 7.37→version 7.38
20	MPE720 version 7.39 upgrade information	version 7.38→version 7.39
21	MPE720 version 7.40 upgrade information	version 7.39→version 7.40
22	MPE720 version 7.41 upgrade information	version 7.40→version 7.41
23	MPE720 version 7.42 upgrade information	version 7.41→version 7.42
24	MPE720 version 7.43 upgrade information	version 7.42→version 7.43
25	MPE720 version 7.44 upgrade information	version 7.43→version 7.44
26	MPE720 version 7.45 upgrade information	version 7.44→version 7.45
27	MPE720 version 7.46 upgrade information	version 7.45→version 7.46
28	MPE720 version 7.47 upgrade information	version 7.46→version 7.47
29	MPE720 version 7.50 upgrade information	version 7.47→version 7.50

2. Description

No. 1 Improvement of opening ladder program.

It was improved that slow opening a ladder program that uses many large Expressions.

[Supported Versions]

○Controller

Controller	Supported Firmware Version
MP3000 Series	Not dependent on the controller version.
Σ-7 Series	Not dependent on the controller version.
MP2000 Series	Not dependent on the controller version.

No. 2 Improvement of servo parameter setting of Sigma-2 + NS100.

It was improved that the servo parameters of Sigma-2 + NS100 are not displayed correctly.

[Supported Versions]

○Controller

Controller	Supported Firmware Versions
MP3000 Series	Not dependent on the controller version.
Σ-7 Series	Not dependent on the controller version.
MP2000 Series	Not dependent on the controller version.

No. 3 Improvement of opening project file.

It was improved that the project could not be opened if there was a blank in the user name of the PC.

[Supported Versions]

○Controller

Controller	Supported Firmware Versions
MP3000 Series	Not dependent on the controller version.
Σ-7 Series	Not dependent on the controller version.
MP2000 Series	Not dependent on the controller version.