

## **Upgrade Information of MPE720 Version 7.47**

### **1. Added and Improved Functions**

#### **1.1 Version 7.47 Upgrade Information**

Items added and features improved from MPE720 version 7.46 to version 7.47 are as follows.

No.	Feature	Classification
1	The maximum value that can be set for “Size (Byte)” and the procedure for communications settings when the 263IF-01 Optional Module is used has been changed.	Functional Enhancement
2	Some items under logging settings are set as inactive if they are not supported by the Controller version used.	Improvement
3	Processing for displaying waveforms in a graph for a Real-Time Trace has been improved when using MP2000-series Machine Controllers.	Improvement
4	Project files can now be opened regardless of the character string length of program names.	Improvement
5	When an I/O register setting range error (outside of the applicable range) occurred and the settings were corrected, the correction could not be saved. This problem has been corrected.	Improvement

(\*): When MPE720 Ver.7 before MPE720 Ver.7.11 is already installed in Windows Vista and Windows 7, it may not operate for the newest information of the servo model addition by the axial setup wizard function (the newest information added into the database) updated by after MPE720 Ver.7.13.

Please refer to the following page for operating procedures.

## 【About the restriction matter when using MPE720 Ver.7 in Windows Vista and Windows 7】

When MPE720 Ver.7 is used in Windows Vista and Windows 7, the following phenomena might be generated.

### <Phenomena>

When MPE720 Ver.7 before MPE720 Ver.7.11 is already installed in Windows Vista and Windows 7, it may not operate for the newest information of the servo model addition by the axial setup wizard function (the newest information added into the database) updated by after MPE720 Ver.7.13.

### <Measures>

Using a batch file, the following folder is deleted. (\*1)

C:\Users\UserName(\*2)\AppData\Local\VirtualStore\Program Files(\*3)\YASKAWA\MPE720 Ver7

### Procedure

1. The batch file enclosed by MPE720 Ver.7 installer is copied to a desktop.

#### 【Download Version】

MPE720Ver7\_xxx(\*4)\Tools\CleanUp\MPE720Ver7\_x86.bat (32bitOS)

MPE720Ver7\_xxx(\*4)\Tools\CleanUp\MPE720Ver7\_x64.bat (64bitOS)

#### 【DVD Media Version】

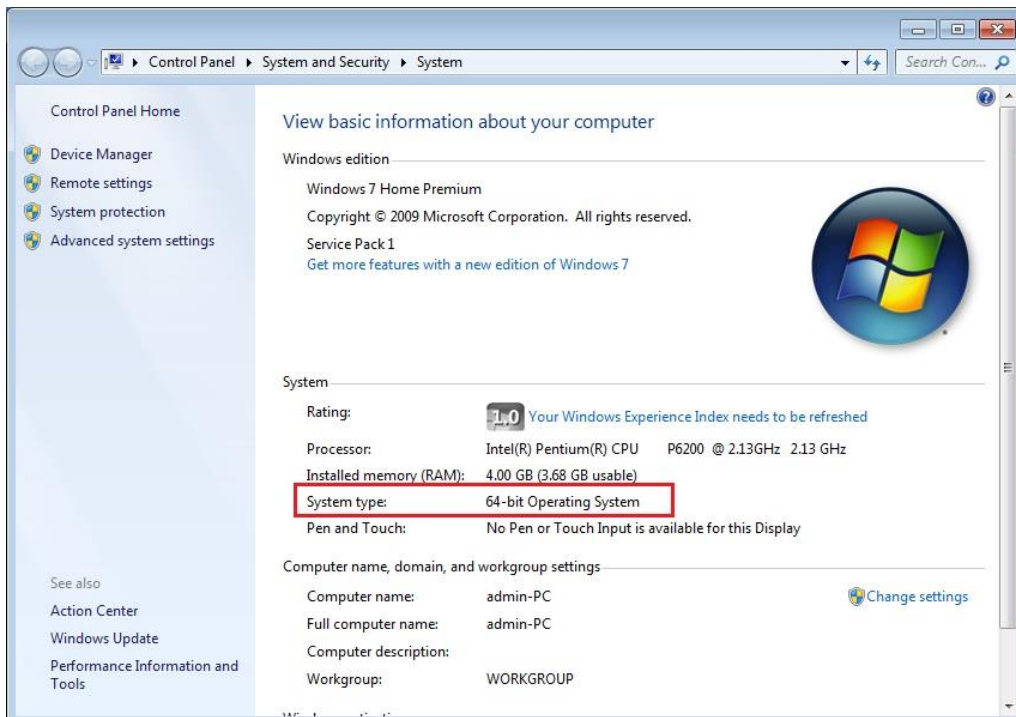
D(\*5)\Tools\CleanUp\MPE720Ver7\_x86.bat (32bitOS)

D(\*5)\Tools\CleanUp\MPE720Ver7\_x64.bat (64bitOS)

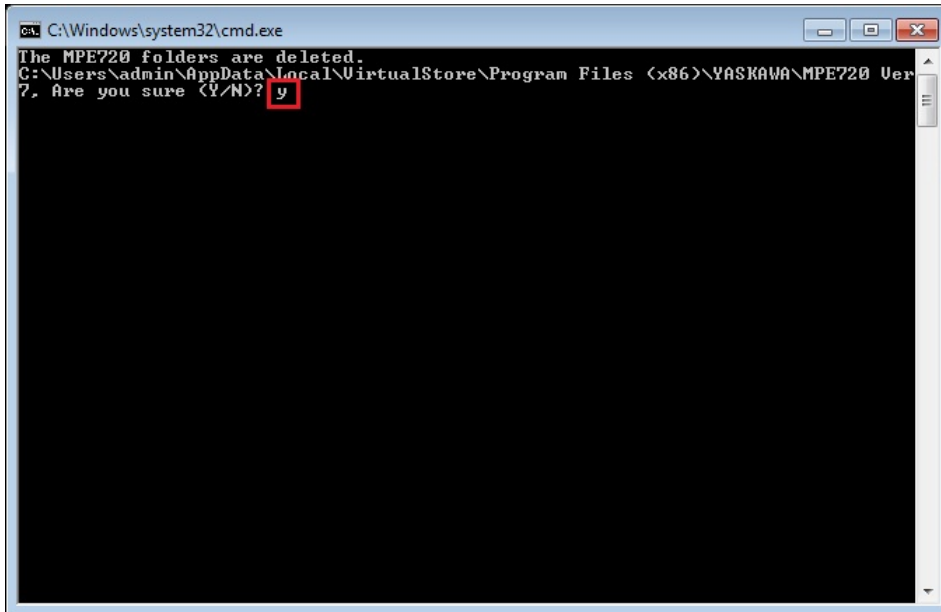
2. The copied batch file is performed.

MPE720Ver7\_x86.bat (32bitOS)

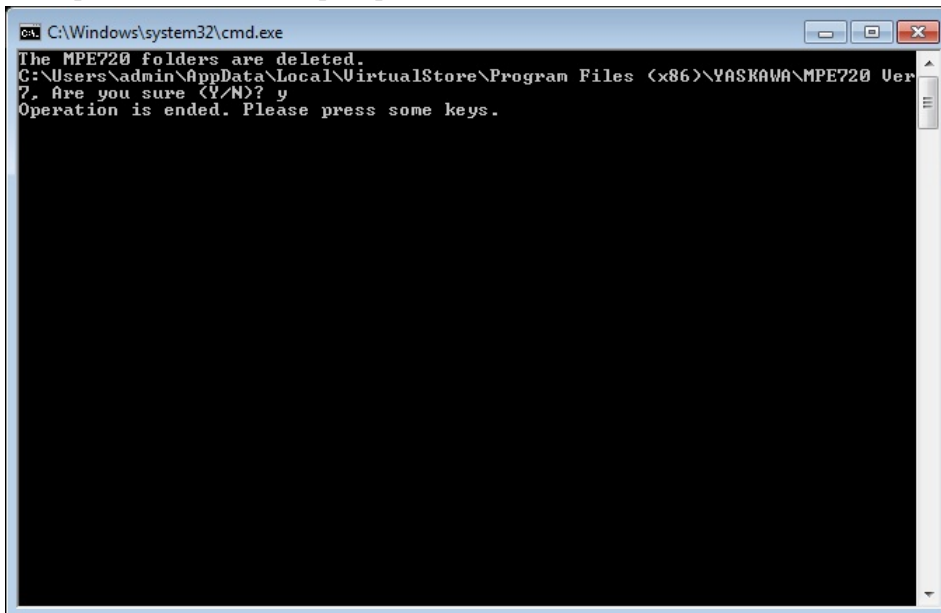
MPE720Ver7\_x64.bat (64bitOS)



3. “y” is inputted on a command prompt and the Enter button is pushed.



4. The Enter button is pushed on a command prompt after deletion.



- (\*1): When multi-user is using one set of PC, please operate it by each user.
- (\*2): The user account name that logs in enters.
- (\*3): The path changes by OS.
  - 32bitOS: Program Files
  - 64bitOS: Program Files (x86)
- (\*4): The path changes by version.
- (\*5): The path changes by DVD drive.
- (\*6): When an installation path is changed at the time of MPE720 Ver.7 installation, please delete the “MPE720 Ver7” folder which a folder subordinate has below manually according to the installed path.
  - C:\Users\¥UserName(\*2)\¥AppData\¥Local\¥VirtualStore

## 【About compile of the parallel circuit】

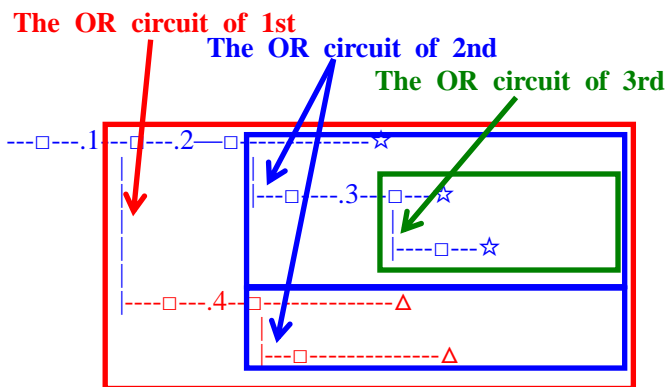
In the Ladder program of MPE720 Ver7 before MPE720 Ver7.23, when the parallel circuit is used, the following phenomena may occur.

<Phenomena>

When the circuit containing the following pattern was created, there was a phenomenon of operating without receiving the condition that the circuit below the OR circuit of 1<sup>st</sup> class must operate essentially in response to the conditional instruction before the OR circuit of 1<sup>st</sup> class.

<Measures>

When a phenomenon occurs, please carry out re-compile about the Ladder program in MPE720 Ver7 after MPE720 Ver7.24. Or please carry out again “Compile All Programs” of “Compile” menu.



The OR circuit of 1st class: The OR circuit branched from the bus-bar of language.

The OR circuit of 2nd class: The OR circuit branched out of the OR circuit of 1st class.

The OR circuit of 3rd class: The OR circuit branched out of the OR circuit of 2nd class.

□(Conditional instruction): NO Contact, NC Contact, Coil, instruction(==, !=, >, <), power line (-----) etc.

☆(Output instruction): Coil, Block instruction(Expression, STORE, COPYW) etc

※However, when all ☆ is coil commands, a phenomenon does not occur.

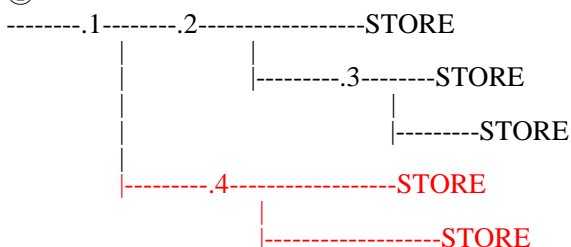
△(Output instruction): Coil, Block instruction(Expression, STORE, COPYW)etc

<Pattern>

Symbol	Instruction
[	NO Contact
STORE	STORE instruction
()	Coil

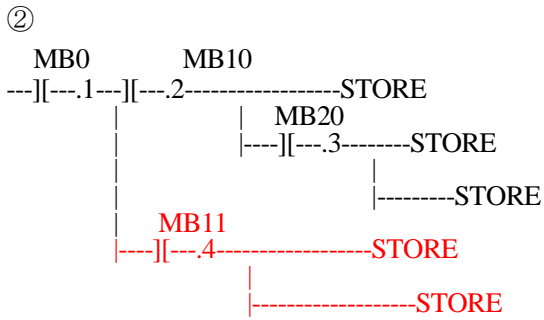
<NG Pattern>

①



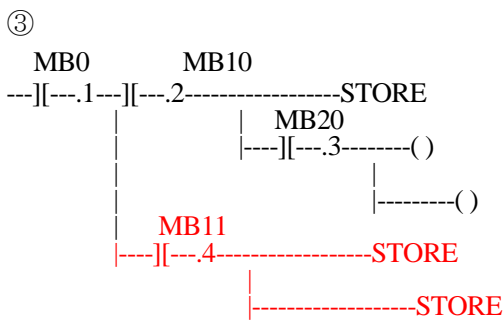
This pattern is minimum circuit pattern.

This is NG.



It is NG even if the minimum circuit pattern has conditional instructions (NO Contact etc.).

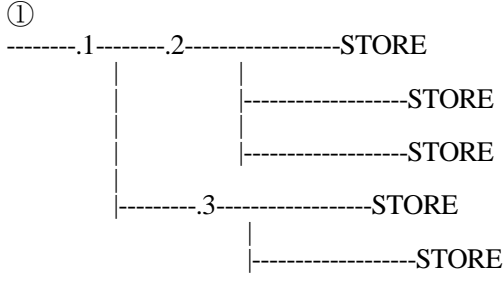
This is NG



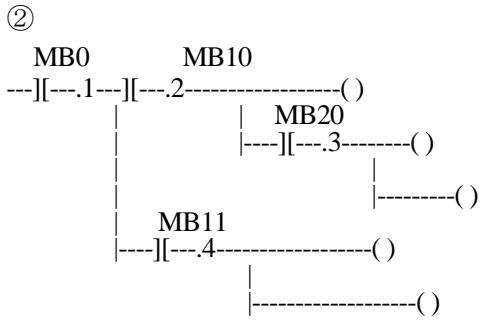
It is NG when there are at least one block commands (STORE command etc.) here.

This is NG

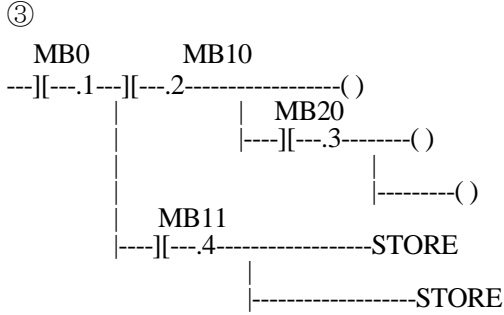
<OK Pattern>



Since it is the OR circuit of 2nd, it is OK.



Since it is the coil altogether, it is OK.



Since it is the coil altogether, it is OK.

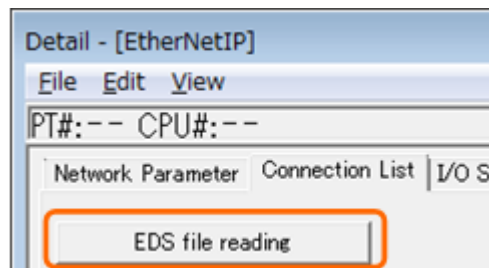
## 1.2 Past Upgrade Information

No.	Upgrade Information	Remarks
1	<a href="#">MPE720 version 7.11 upgrade information</a>	version 7.10→version 7.11
2	<a href="#">MPE720 version 7.13 upgrade information</a>	version 7.11→version 7.13
3	<a href="#">MPE720 version 7.14 upgrade information</a>	version 7.13→version 7.14
4	<a href="#">MPE720 version 7.20 upgrade information</a>	version 7.14→version 7.20
5	<a href="#">MPE720 version 7.21 upgrade information</a>	version 7.20→version 7.21
6	<a href="#">MPE720 version 7.23 upgrade information</a>	version 7.21→version 7.23
7	<a href="#">MPE720 version 7.24 upgrade information</a>	version 7.23→version 7.24
8	<a href="#">MPE720 version 7.26 upgrade information</a>	version 7.24→version 7.26
9	<a href="#">MPE720 version 7.27 upgrade information</a>	version 7.26→version 7.27
10	<a href="#">MPE720 version 7.28 upgrade information</a>	version 7.27→version 7.28
11	<a href="#">MPE720 version 7.29 upgrade information</a>	version 7.28→version 7.29
12	<a href="#">MPE720 version 7.30 upgrade information</a>	version 7.29→version 7.30
13	<a href="#">MPE720 version 7.31 upgrade information</a>	version 7.30→version 7.31
14	<a href="#">MPE720 version 7.33 upgrade information</a>	version 7.31→version 7.33
15	<a href="#">MPE720 version 7.34 upgrade information</a>	version 7.33→version 7.34
16	<a href="#">MPE720 version 7.35 upgrade information</a>	version 7.34→version 7.35
17	<a href="#">MPE720 version 7.36 upgrade information</a>	version 7.35→version 7.36
18	<a href="#">MPE720 version 7.37 upgrade information</a>	version 7.36→version 7.37
19	<a href="#">MPE720 version 7.38 upgrade information</a>	version 7.37→version 7.38
20	<a href="#">MPE720 version 7.39 upgrade information</a>	version 7.38→version 7.39
21	<a href="#">MPE720 version 7.40 upgrade information</a>	version 7.39→version 7.40
22	<a href="#">MPE720 version 7.41 upgrade information</a>	version 7.40→version 7.41
23	<a href="#">MPE720 version 7.42 upgrade information</a>	version 7.41→version 7.42
24	<a href="#">MPE720 version 7.43 upgrade information</a>	version 7.42→version 7.43
25	<a href="#">MPE720 version 7.44 upgrade information</a>	version 7.43→version 7.44
26	<a href="#">MPE720 version 7.45 upgrade information</a>	version 7.44→version 7.45
27	<a href="#">MPE720 version 7.46 upgrade information</a>	version 7.45→version 7.46

## 2. Description

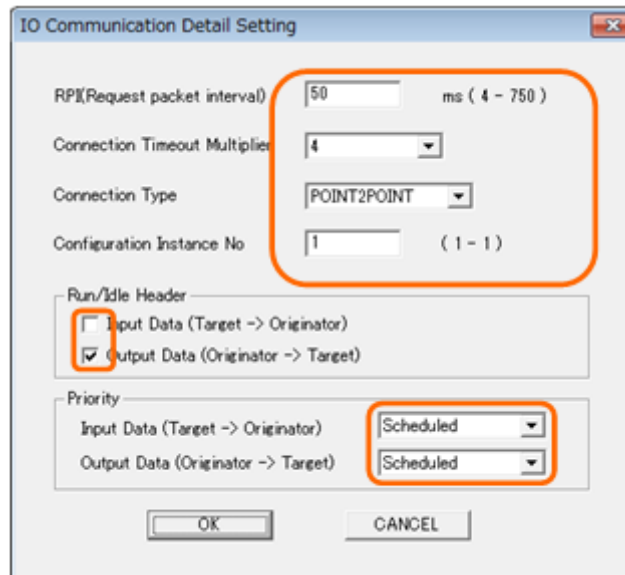
### No. 1 The maximum value that can be set for “Size (Byte)” and the procedure for communications settings when the 263IF-01 Optional Module is used has been changed.

1. The maximum value that can be set for Size (Byte), one of the I/O communications settings, has been changed to “1444”.  
Note: When a 4-digit number is set for Size (Byte) in a project file and the project file is opened with MPE720 Ver.7.46 or an earlier version, only the left three digits are displayed in Size (Byte).
2. The EDS file reading Button has been added. By clicking the button, MPE720 will automatically read and analyze the EDS file and the results will be automatically entered in the cells for setting items.



[Values That Are Automatically Entered By Reading and Analyzing an EDS File]





[Supported Versions]

○Controller

Controller	Supported Firmware Versions
MP3000 Series	Not dependent on the controller version.
Sigma-7 Series	Not dependent on the controller version.
MP2000 Series	Not dependent on the controller version.

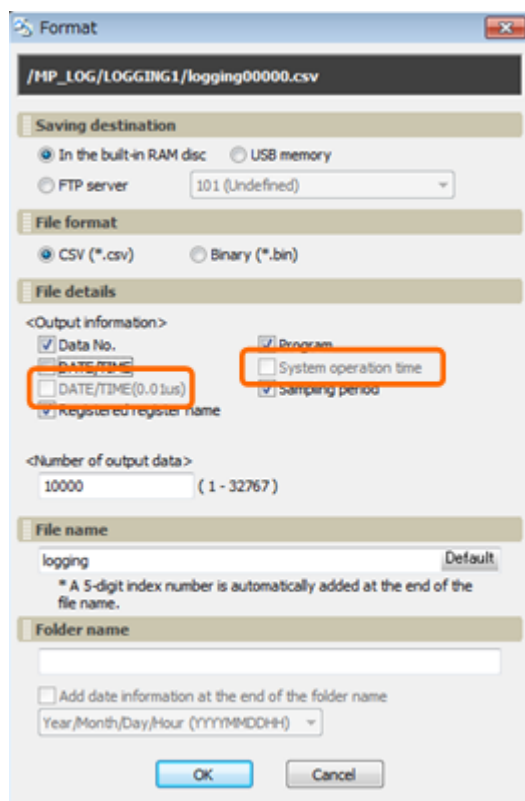
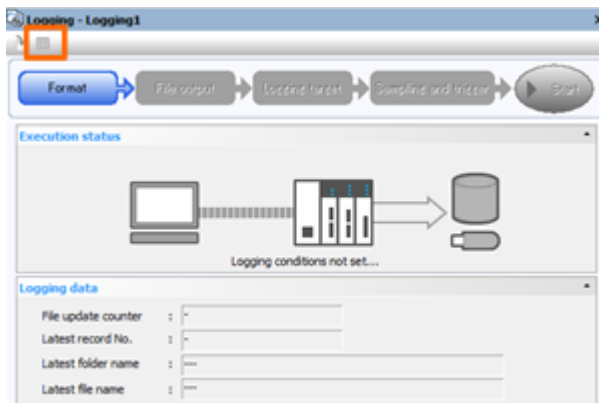
○Optional Module

Optional Module	Supported Firmware Versions
263IF-01	Ver.1.05 or later



**No. 2 Some items under logging settings are set as inactive if they are not supported by the Controller version used.**

The following icon and selection items of the Logging Dialog Box cannot be selected if the software version of the Machine Controller is Ver.1.43 or earlier. (These versions do not support these functions.)



[Supported Versions]

○Controller

Controller	Supported Firmware Versions
MP3000 Series	Ver.1.43 or earlier
Sigma -7 Series	Ver.1.08 or earlier
MP2000 Series	Not supported by the MP2000 Series.

**No. 3 Processing for displaying waveforms in a graph for a Real-Time Trace has been improved when using MP2000-series Machine Controllers.**

Improvements have been made so that waveforms will be displayed in a graph in real time when an MP2000-series Machine Controller is used and the Real Time Display Check Box is selected for Real-Time Trace function.

[Supported Versions]

○Controller

Controller	Supported Firmware Versions
MP3000 Series	Not dependent on the controller version.
Sigma-7 Series	Not dependent on the controller version.
MP2000 Series	Not dependent on the controller version.

**No. 4 Project files can now be opened regardless of the character string length of program names. The following selection items have been added in the Format Window of the logging function.**

Project files that includes a program with a program name of 49 bytes or more can now be opened.

If the program name is 49 bytes or more, character data that is at 49th byte or later will be automatically deleted to create a program name that is only 48 bytes when the project file is saved.

[Supported Versions]

○Controller

Controller	Supported Firmware Versions
MP3000 Series	Not dependent on the controller version.
Sigma-7 Series	Not dependent on the controller version.
MP2000 Series	Not dependent on the controller version.

**No. 5 When an I/O register setting range error (outside of the applicable range) occurred and the settings were corrected, the correction could not be saved. This problem has been corrected.**

When corrections are made on the Module Configuration Tab Page to clear an I/O register setting range error, the contents of the corrections can now be saved.

[Supported Versions]

○Controller

Controller	Supported Firmware Versions
MP3000 Series	Not dependent on the controller version.
Sigma-7 Series	Not dependent on the controller version.
MP2000 Series	Not dependent on the controller version.